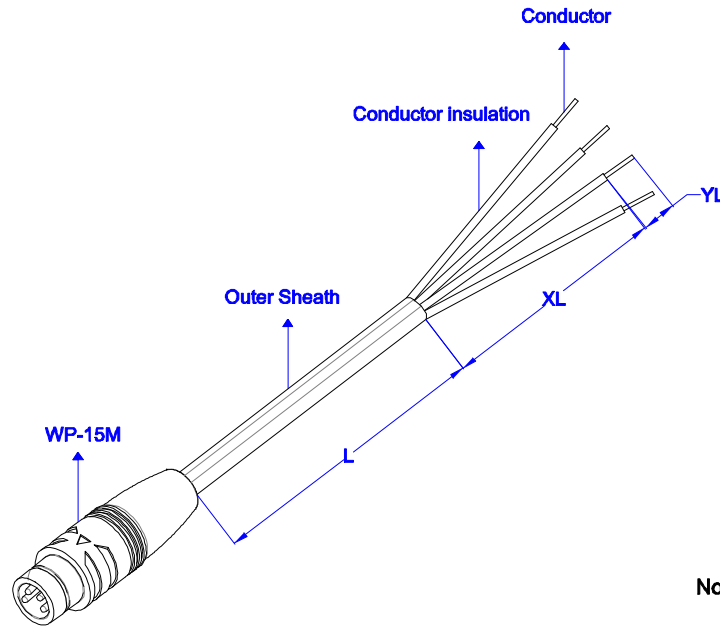
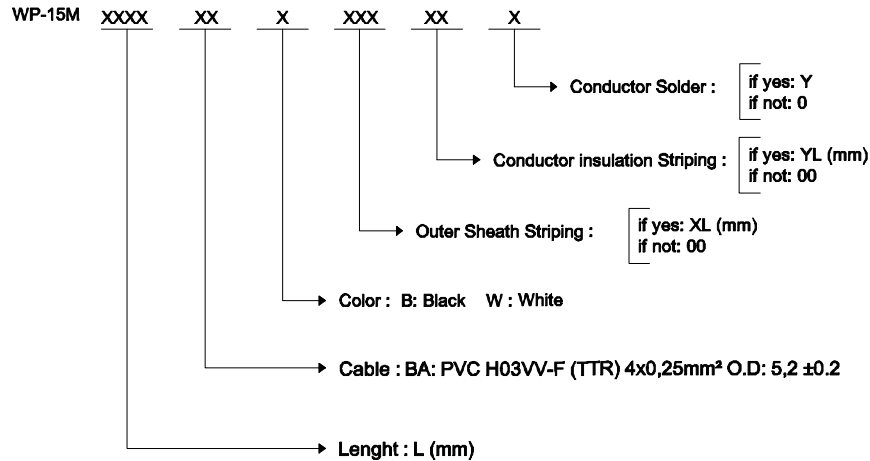


VIEW	TOLERANCE	
	0-5	±0.1
	6-10	±0.25
	11-50	±0.5
UNIT: mm	51-100	±1
	101-250	±2
	251-500	±5
	501- >	±10



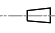
**ORDER CODE:**



**Notes:**

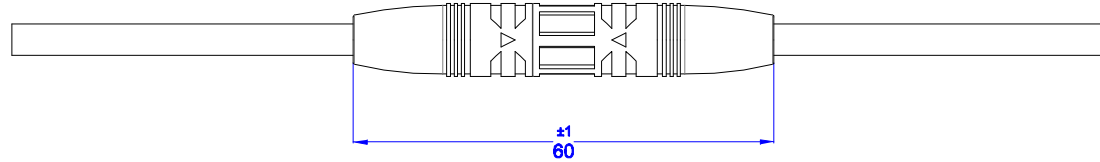
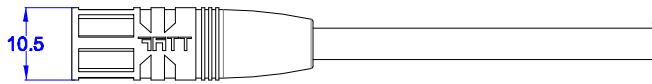
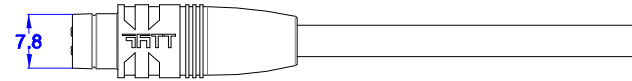
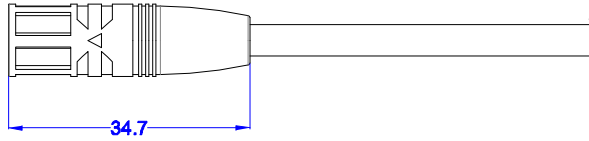
Number Of Contact: 4 Pin  
 Contact: Brass Nickel Plated  
 Current Rating Percontact: 4A  
 Voltage Rating: 220V AC  
 Contact Resistance: <10M Ω  
 Insulation Resistance: 1000M Ω at DC 500V.  
 Breakdown Voltage: 1,5KV / 1 minute  
 Temperature Rating: -30C°~+70C°  
 Durability (Plug/Unplug): 3000 times  
 Waterproof Rating: IP67  
 Certificate: CE ; ROHS


4	-	PVC MOLDING / BLACK	-	-	-
3	-	4 PIN FEMALE CONNECTOR / BLACK	-	1	pc.
2	-	4 PIN MALE CONNECTOR / BLACK	-	1	pc.
1	KBL-9046	4x0.26mm <sup>2</sup> CABLE / BLACK	-	-	-
No	Material Code	Description	Size (mm)	Q'ty	Unit
Date	16.12.2016	Rev.	Revision Detail		Rev.Dt. Rev.by
Designed by	Yegim AKSOY	-			
Checked by	Fatih BOLACA				
			Part No		
			WP-15M 4 Pin Seal Harness		
			Drawing Nr.	Scale	Sheet No
			-	NONE	1/2

VIEW	TOLERANCE	
	0-5	±0.1
	6-10	±0.25
	11-50	±0.5
UNIT: mm	51-100	±1
	101-250	±2
	251-500	±5
	501- >	±10

**WP-15F**

**WP-15M**



Date	01.12.2016	Rev.	-	Revision Detail		Rev.Dt.		Rev.by		Part No	WP-15F / WP-15M Connection Details				
Designed by	Yegim AKSOY	Checked by	Fatih BOLACA							Drawing Nr.	-	Scale	NONE	Sheet No	2/2
															

1

2

3

4

5

6

A4