
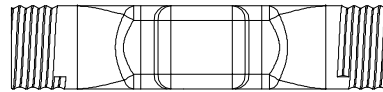
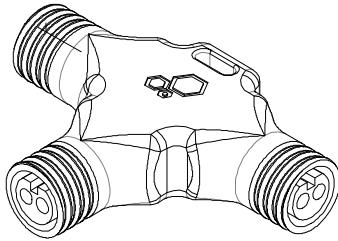
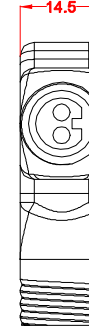
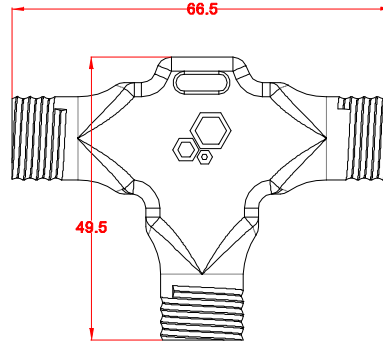
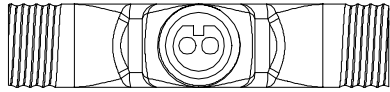


VIEW	TOLERANCE	
	0-5	±0.1
	6-10	±0.25
	11-50	±0.5
UNIT: mm	51-100	±1
	101-250	±2
	251-500	±5
	501- >	±10



**Notes:**

Number Of Contact: 2 Pin  
 Contact: Brass Nickel Plated  
 Current Rating Percontact: 5A  
 Voltage Rating: 220V AC  
 Contact Resistance: <10M Ω  
 Insulation Resistance: 1000M Ω at DC 500V.  
 Breakdown Voltage: 1,5KV / 1 minute  
 Temperature Rating: -30 - 85°C  
 Durability (Plug/Unplug): 3000 times  
 Waterproof Rating: IP67  
 Certificate: CE ; ROHS  
 Molding Material: PVC

WP-12 X

Color: B (Black)  
 C (Copper)  
 D (Gold)  
 G (Green)  
 N (Navy Blue)  
 R (Red)  
 W (White)  
 Y (Yellow)

Date	30.11.2016	Rev.	-	Revision Detail		Rev.Dt.		Rev.by		Part No	WP-12 Waterproof "T" Adaptor		
Designed by	Yesim AKSOY	Checked by	Fatih BOLACA							Drawing Nr.	Scale	Sheet No	
										-	NONE	1/1	



1

2

3

4

5

6

A4