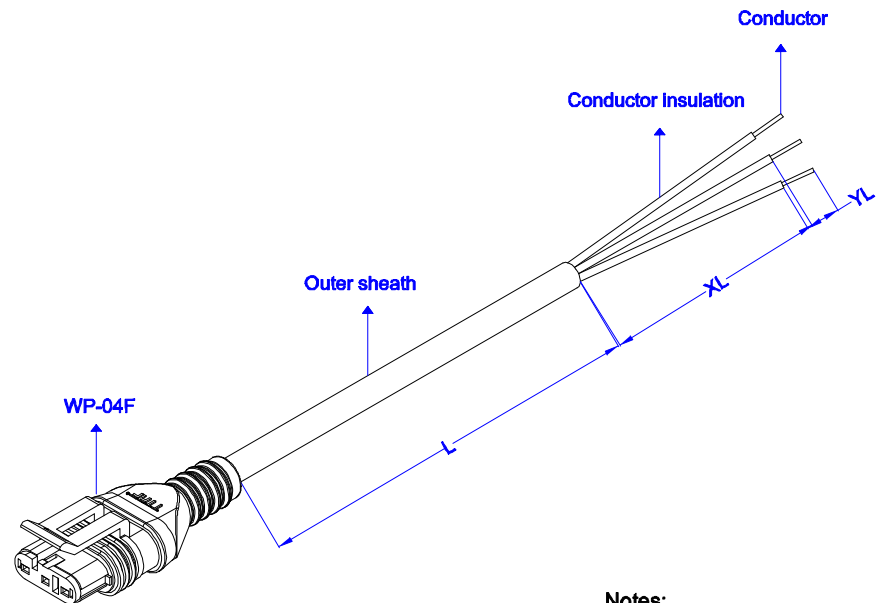
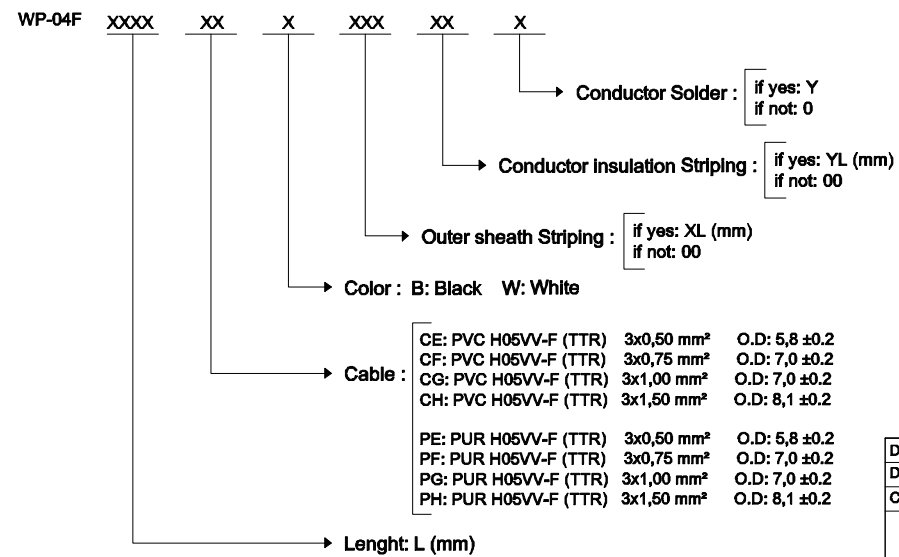


VIEW	TOLERANCE	
	0-5	±0.1
	6-10	±0.25
	11-50	±0.5
UNIT: mm	51-100	±1
	101-250	±2
	251-500	±5
	501- >	±10



ORDER CODE:



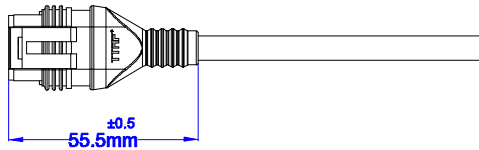
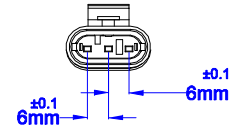
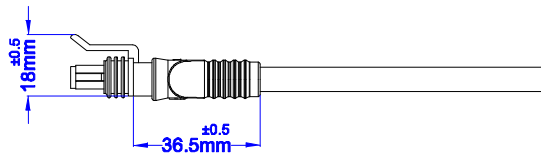
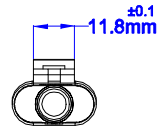
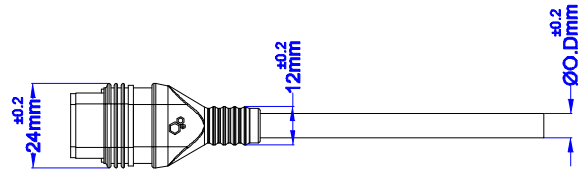
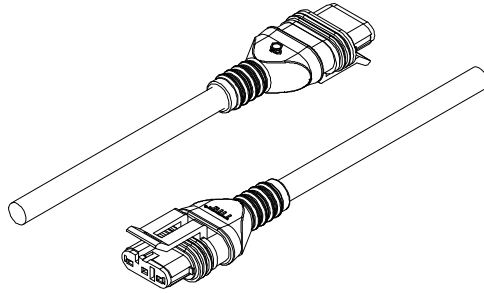
Notes:

- 1) Connector Specification; Material: PA66+GF
 Number Of Contacts: 3 pin
 Temperature Range: -30°C~+70°C
 Terminal Material: Phosphor Bronze
 Terminal Plate: Pre-Tin
 Current Rating per contact:
 0,5 mm² Cable Max. 6A
 0,75 mm² Cable Max. 7A
 1,00 mm² Cable Max. 8A
 1,50 mm² Cable Max. 11A
- 2) Molding Material: PVC or PUR depends for cable order
- 3) Housing Part No: 200001-3F
 Terminal Part No: 200001-TF-C

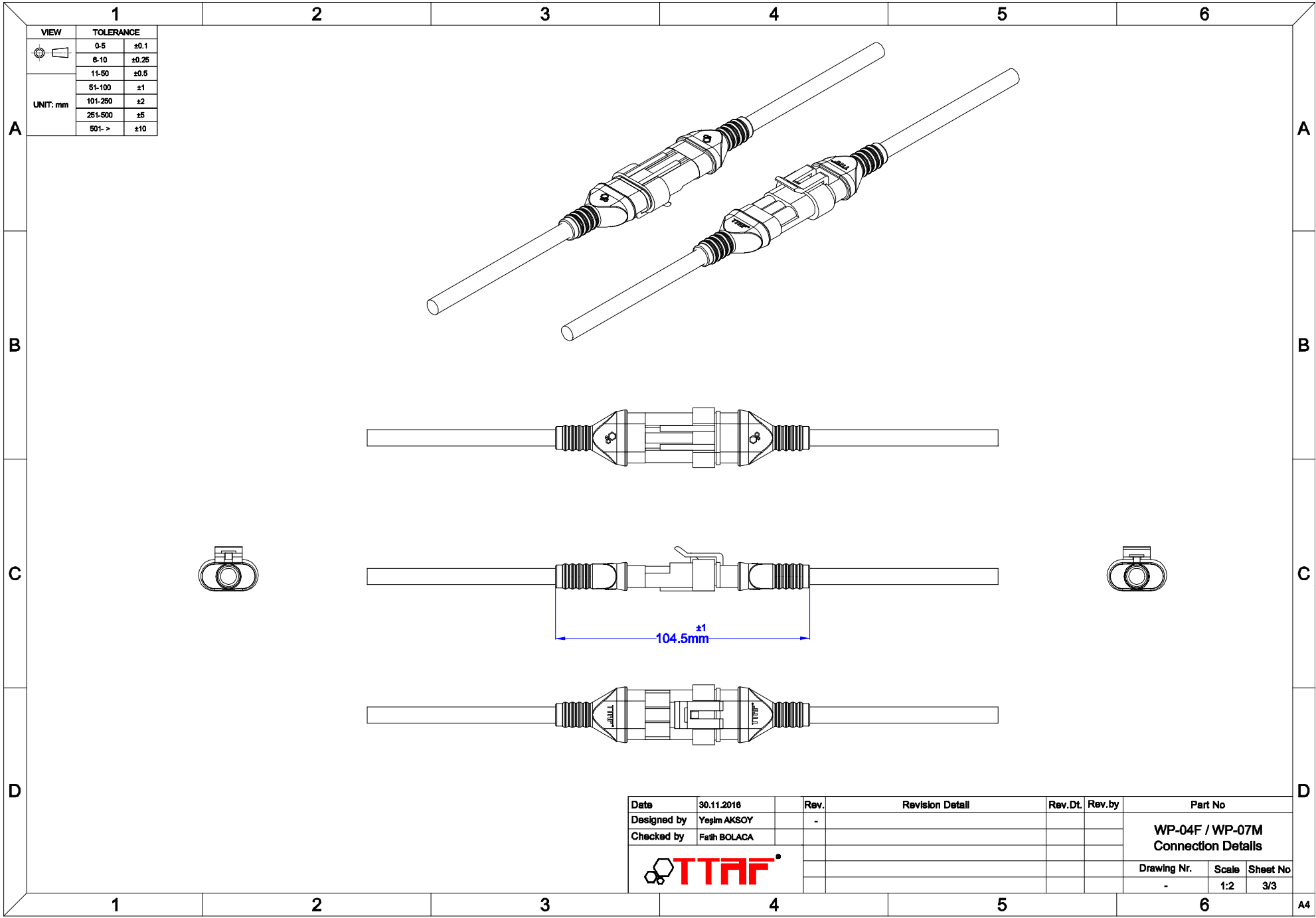
Date	30.11.2016	Rev.	-	Revision Detail		Rev.Dt.		Rev.by		Part No	WP-04F 3 Pin Seal Harness		
Designed by	Yegim AKSOY	Checked by	Fatih BOLACA							Drawing Nr.	Scale	Sheet No	
										-	1:2	1/3	



VIEW	TOLERANCE	
	0-5	±0.1
	6-10	±0.25
	11-50	±0.5
UNIT: mm	51-100	±1
	101-250	±2
	251-500	±5
	501- >	±10



Date	30.11.2016	Rev.		Revision Detail	Rev.Dt.	Rev.by	Part No		
Designed by	Yegim AKSOY	-					WP-04F Dimensions		
Checked by	Fatih BOLACA								
							Drawing Nr.	Scale	Sheet No
							-	1:2	2/3



Date	30.11.2016	Rev.	-	Revision Detail	Rev.Dt.	Rev.by	Part No		
Designed by	Yegim AKSOY						WP-04F / WP-07M Connection Details		
Checked by	Fatih BOLACA								
							Drawing Nr.	Scale	Sheet No
							-	1:2	3/3