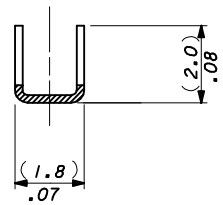
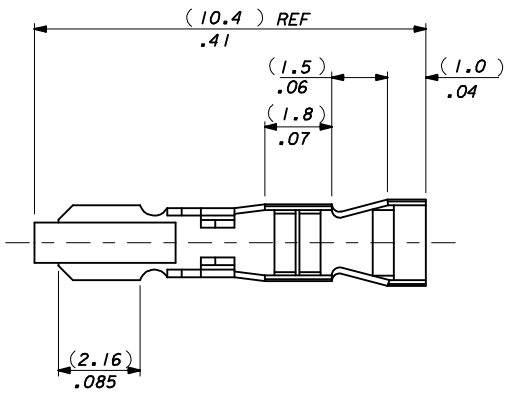


NOTES:

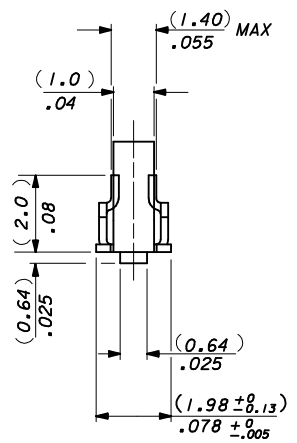
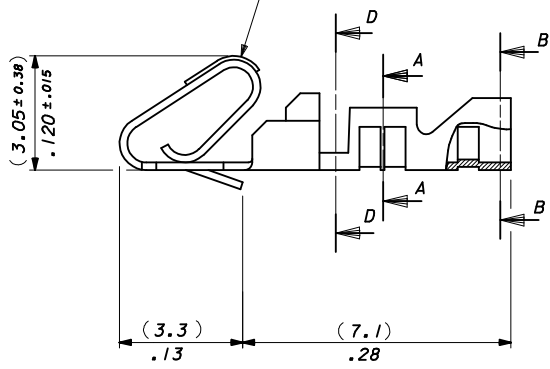
1. MATERIAL: (0.21)/.008 THICK BRASS.
2. FINISH: SEE SHEET 2.
3. THIS PART CONFORMS TO PRODUCT SPEC. 99020-0088.
4. TERMINAL MUST MEET BEND SPEC. SDES-219.
5. SUITABLE FOR 22-30 GA. WIRE, (1.57)/.062 MAX. INSULATION.
6. THIS PART CONFORMS TO CLASS B REQUIREMENTS OF COSMETIC SPECIFICATION PS-45499-002.



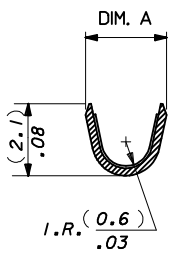
SECTION D-D
(4809-1T ONLY)



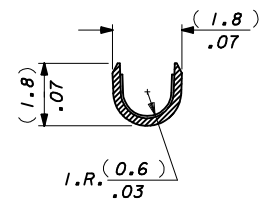
SELECTIVE PLATING AREA,
SEE CHART



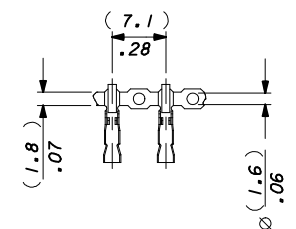
SECTION B-B



SECTION A-A



SECTION A-A



CARRIER STRIP DETAIL
SCALE 2:1

4809-(*)** *

- BLANK : DIM. A = (2.1) / 1.083 REF.
- M: DIM A = (2.2) / .087 REF.
- BLANK=CHAIN FORM TOP FEEDING REEL
- L=LOOSE FORM

PLATING CODE

| | | | | | | | | | |
|---|--|-------------|-----------------|---------------------------------------|------|-----------------|--------------|--|------------------------|
| SELECT GOLD AREA EC NO: UCP2013-5411 DRAWN: KIPPER CHKD: J.BELL APPR: F.S.MITH | 2013/06/14 2013/06/17 2013/06/28 | DESCRIPTION | QUALITY SYMBOLS | GENERAL TOLERANCES (UNLESS SPECIFIED) | | DIMENSION STYLE | SCALE | DESIGN UNITS | THIRD ANGLE PROJECTION |
| | | | | mm | INCH | MM/IN | 10:1 | METRIC | |
| AN | REV | | ▽=0 | 4 PLACES ± | --- | DRAWN BY | DATE | ANTI-FISH HOOKING TERMINAL KK.(2.50)/.100 | |
| | | | | 3 PLACES ± | --- | MCC | 1986/07/30 | | |
| | | | | 2 PLACES ± | 0.25 | CHECKED BY | DATE | | |
| | | | | 1 PLACE ± | 0.35 | DMORIARTY | 2004/10/18 | | |
| | | | | 0 PLACE ± | | APPROVED BY | DATE | | |
| | | | | ANGULAR ± | | MATERIAL NO. | DOCUMENT NO. | SHEET NO. | |
| DRAFT WHERE APPLICABLE MUST REMAIN WITHIN DIMENSIONS | | | | SEE CHART | | SD-4809-* | | 1 OF 2 | |
| THIS DRAWING CONTAINS INFORMATION THAT IS PROPRIETARY TO MOLEX INCORPORATED AND SHOULD NOT BE USED WITHOUT WRITTEN PERMISSION | | | | | | | | | |

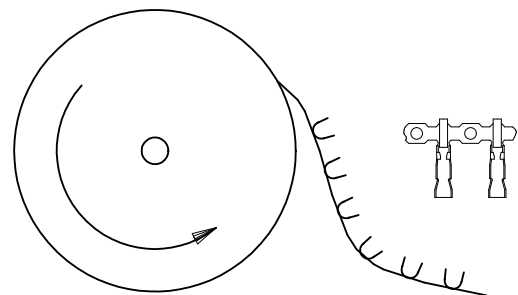
FINISH NOTES*

(550) GOLD PLATE (0.00038)/.000015 MIN. OVER (0.00076)/.000030 MIN. NICKEL

IN CONTACT AREA WITH (0.00005)/.000002 MIN. GOLD FLASH OVERALL.

(555) SELECTIVE GOLD (0.00038)/.000015 MIN. OVER (0.00076)/.000030 MIN. NICKEL IN CONTACT AREA ONLY.

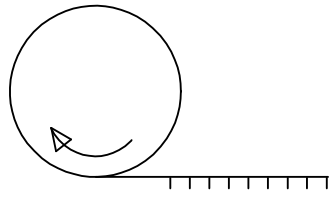
(P918) HOT TIN DIP (0.00102-0.00305)/.000040-.000120



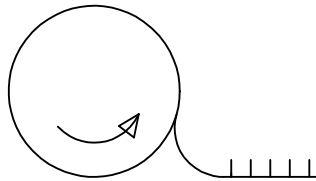
TERMINALS FEEDING FROM THE TOP OF THE REEL ARE STANDARD WOUND

| | | | | |
|------------------------|-----------------|-------|--------|-------------------------------|
| 08-55-0110 | 4809 - (555) | CHAIN | (555) | (2.45 - 1.75)/ .096 - .069 |
| 08-55-0111 | ↑ - (555)L | LOOSE | | |
| 08-56-0120 | - (550) | CHAIN | (550) | (2.45 - 1.75)/ .096 - .069 |
| 08-56-0115 | ↓ - (550)L | LOOSE | | |
| 08-50-0135 | ↓ -(P918) | CHAIN | (P918) | (2.45 - 1.75)/ .096 - .069 |
| 08-50-0136 | 4809 - (P918) L | LOOSE | | |
| PART No | ENG No | FORM | FINISH | DIM . A |
| TOP FEEDING REELS ONLY | | | | |

| | | | | | | |
|--|------------------------|--|---|--|--------------|------------------------|
| CORRECT PLATING EC NO: UCP2011-2131 DRWNCSTEWART 2011/01/18 CHKD:HKIPPER 2011/01/26 APPR:FSMLTH 2011/02/04 | QUALITY SYMBOLS | GENERAL TOLERANCES (UNLESS SPECIFIED) | DIMENSION STYLE | SCALE | DESIGN UNITS | THIRD ANGLE PROJECTION |
| | ▽=0 | mm INCH | MM/IN | NTS | METRIC | |
| | ▽=0 | 4 PLACES ± --- ± --- | DRAWN BY DATE | TITLE | | |
| | ▽=0 | 3 PLACES ± --- ± .010 | MCC 1986/07/30 | ANTI-FISH HOOKING TERMINAL KK,(2.50)/.100 | | |
| | 2 PLACES ± 0.25 ± .014 | CHECKED BY DATE | MOLEX INCORPORATED | | | |
| | 1 PLACE ± 0.35 ± --- | DMORIART 2004/10/18 | SD-4809-* | | | |
| | ANGULAR ± ---° | APPROVED BY DATE | SHEET NO. 2 OF 2 | | | |
| | | JDENNEHY 2004/10/19 | THIS DRAWING CONTAINS INFORMATION THAT IS PROPRIETARY TO MOLEX INCORPORATED AND SHOULD NOT BE USED WITHOUT WRITTEN PERMISSION | | | |
| AM | DESCRIPTION | DRAFT WHERE APPLICABLE MUST REMAIN WITHIN DIMENSIONS | SEE CHART | | | |



'A' WINDING REEL
PER ES 339



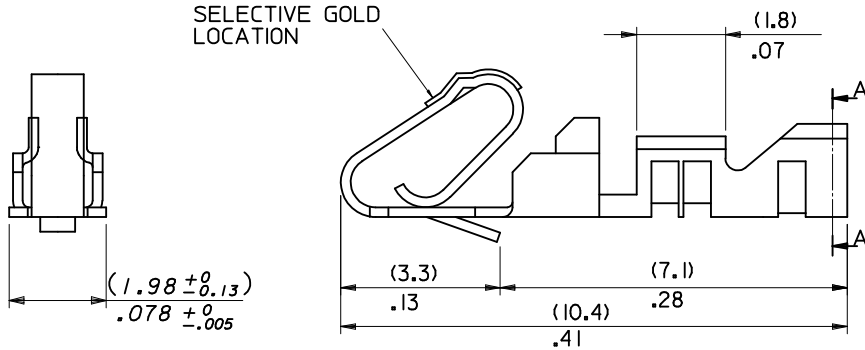
'B' WINDING REEL
PER ES 339

4809C-(*) * *

INSULATION CRIMP WIDTH
BLANK: DIM. A = (2.1)/.083 REF.
M: DIM. A = (2.2)/.087 REF.

PLATING CODE

FORM:
BLANK = CHAIN FORM, TOP FEEDING REEL
L = LOOSE FORM
BF = CHAIN FORM, BOTTOM FEEDING REEL

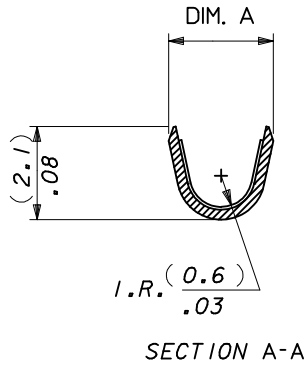


| 97-00-0001 | 4809C-(P918)BF | CHAIN | (P918) | (2.45-1.75)/.096-.069 |
|--------------------------|----------------|-------|------------------------|-----------------------|
| PART No | ENG No | FORM | FINISH (SEE NOTE-2) | DIM . A |
| 'A' WINDING PER E.S. 339 | | | | |

| 08-55-0112 | 4809C-(555) | CHAIN | (555) | (2.45-1.75)/.096-.069 |
|---------------------------------------|---------------|-------|------------------------|-----------------------|
| 08-50-0030 | 4809C-(P918)M | CHAIN | (P918) | (2.35-2.05)/.093-.081 |
| 08-50-0031 | 4809C-(P918) | CHAIN | (P918) | (2.45-1.75)/.096-.069 |
| 08-50-0032 | 4809C-(P918)L | LOOSE | (P918) | (2.45-1.75)/.096-.069 |
| PART No | ENG No | FORM | FINISH (SEE NOTE-2) | DIM . A |
| 'B' WINDING PER E.S. 339 (CHAIN ONLY) | | | | |

NOTES:

1. MATERIAL (0.20±0.01)/.008±.0004 THICK BRASS.
2. FINISH: (555) - SELECTIVE GOLD (0.00038)/0.000015 MIN., OVERALL NICKEL (0.00076)/0.000030 MIN.
(P918) - HOT TIN DIP: (0.00102-0.00305)/.000040-.000120
3. THIS PART CONFORMS TO MOLEX PRODUCT SPEC. PS-99020-0088.
4. SAME AS SD-4809-* EXCEPT WITH CAT EARS.
5. FOR 22-30 GAUGE WIRE & (1.57)/.062 DIA. INSULATION MAX.
6. THIS PART CONFORMS TO CLASS B REQUIREMENTS OF COSMETIC SPECIFICATION PS-45499-002.



| | | | | | | | | | | | |
|--|--------------------------------------|--|--|-----------------|------------|---|--------------|---|--|--|--|
| SELECT GOLD AREA EC NO: UCP2013-5411 DRW: HKIPPER 2013/06/14 CHKD: JBELL 2013/06/17 APPR: F SMITH 2013/06/28 | QUALITY SYMBOLS ∇=0 ∇=0 ∇=0 | GENERAL TOLERANCES (UNLESS SPECIFIED) | | DIMENSION STYLE | | SCALE | DESIGN UNITS | THIRD ANGLE PROJECTION | | | |
| | | | | MM/IN | | NTS | METRIC | | | | |
| | | | | mm | INCH | DRAWN BY | DATE | TITLE | | | |
| | | | | ANGULAR ±---° | | AOD | 1999/02/20 | ANTI FISH HOOKING TERMINAL KK,(2.50)/.100 WITH CAT EARS molex | | | |
| | | DRAFT WHERE APPLICABLE MUST REMAIN WITHIN DIMENSIONS | | DMORIARTY | 2004/10/18 | DOCUMENT NO. | | | | | |
| | | | | JDENNEHY | 2004/10/19 | SD-4809C-**** | | 1 OF 1 | | | |
| | | | | MATERIAL NO. | | THIS DRAWING CONTAINS INFORMATION THAT IS PROPRIETARY TO MOLEX INCORPORATED AND SHOULD NOT BE USED WITHOUT WRITTEN PERMISSION | | | | | |