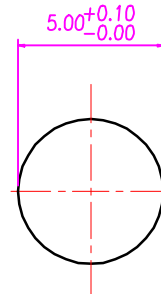
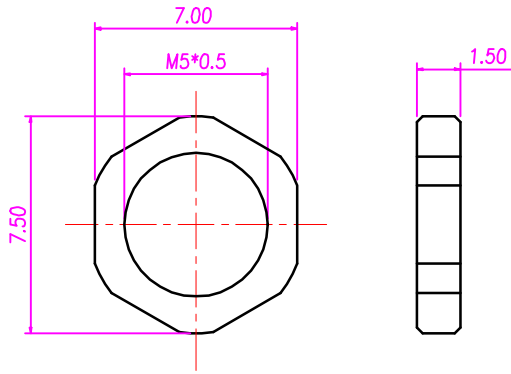
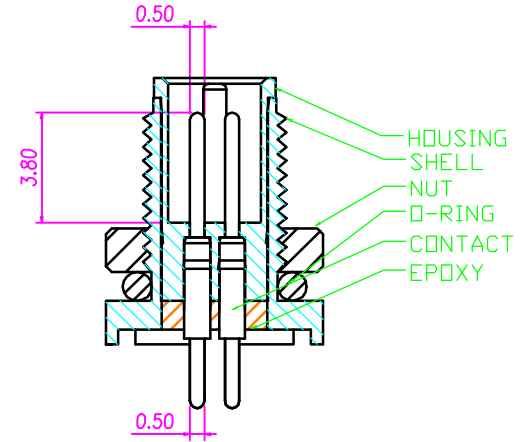
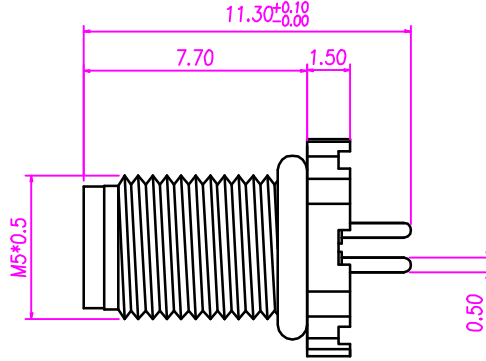
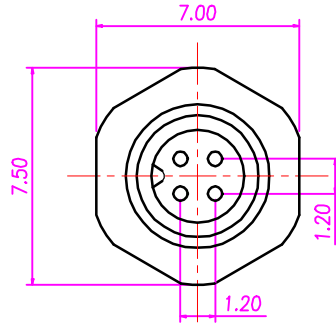


VIEW	TOLERANCE	
	0-10	±1
	11-250	±5
UNIT: mm	251-500	±10
	501-1000	±20
	1001-3000	±50
	3001-5000	±100
	5001- >	±150



RECOMMEND PANEL CUT-OUT

- 1. MATERIAL :**
 1-1. HOUSING : PBT UL94V-0 ; COLOR : BLACK
 1-2. CONTACT : BRASS
 1-3. NUT : BRASS
 1-4. SHELL : BRASS
 1-5. O-RING : NBR ; COLOR : BLACK
 1-6. EPOXY BASE : EF400A & EF400B. COLOR : BLACK
- 2. FINISH :**
 2-1. CONTACT : GOLD FLASH MICRO INCHES MIN.
 2-2. NUT : NICKEL PLATED.
 2-3. SHELL : NICKEL PLATED.
- 3. ELECTRICAL SPECIFICATION :**
 3-1. Rated current : 1A
 3-2. Rated Voltage : 60V
 3-3. Water proof: IP67
- 4. Environmental :**

Date	03.11.2014	Rev.	-	Revision Detail		Rev.Dt.		Rev.by		Part No	TT-5M4P-B-A-FL-5x0.5-C-D-GF
Designed by	Yeşim AKSOY										
Checked by	Fatih BOLACA										
										Drawing Nr.	-
										Scale	NONE
										Sheet No	1/1