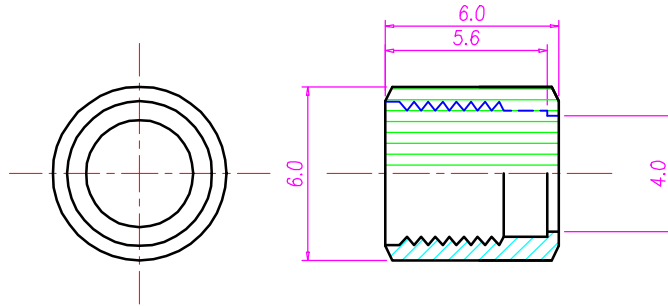
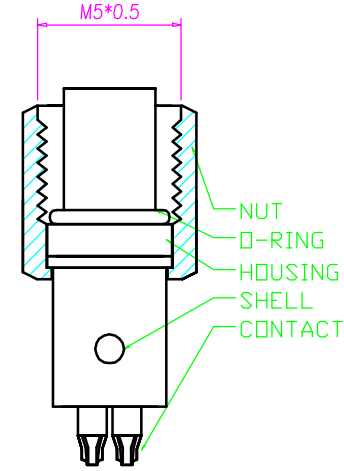
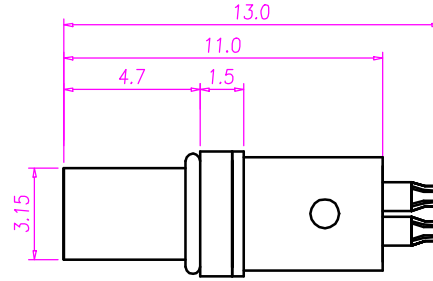
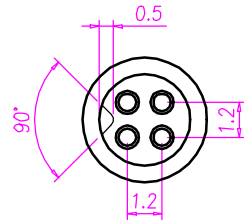


VIEW	TOLERANCE	
	0-10	±1
	11-250	±5
UNIT: mm	251-500	±10
	501-1000	±20
	1001-3000	±50
	3001-5000	±100
	5001- >	±150



- 1. MATERIAL :**
1-1. HOUSING : TPU ; COLOR : BLACK
1-2. CONTACT : PHOSPHOR BRONZE
1-3. NUT : BRASS
1-4. O-RING : NBR ; COLOR : BLACK
1-5. SHELL : BRASS.
- 2. FINISH :**
2-1. CONTACT : GOLD FLASH MICRO INCHES MIN.
2-2. NUT : SATING NICKEL PLATED
2-3. SHELL : BRIGHT TIN PLATED
- 3. ELECTRICAL SPECIFICATION :**
3-1. Rated current : 1A
3-2. Rated Voltage : 60V
3-3. Water proof: IP67
- 4. Environmental :**
4-1. Operation Temperature : -20 °C~85°C

Date	03.11.2014	Rev.	-	Revision Detail		Rev.Dt.		Rev.by		Part No	
Designed by	Yeşim AKSOY									TT-5F4P-W-A-6.0-P-2-GF	
Checked by	Fatih BOLACA										
										Drawing Nr.	
										Scale	NONE
										Sheet No	1/1