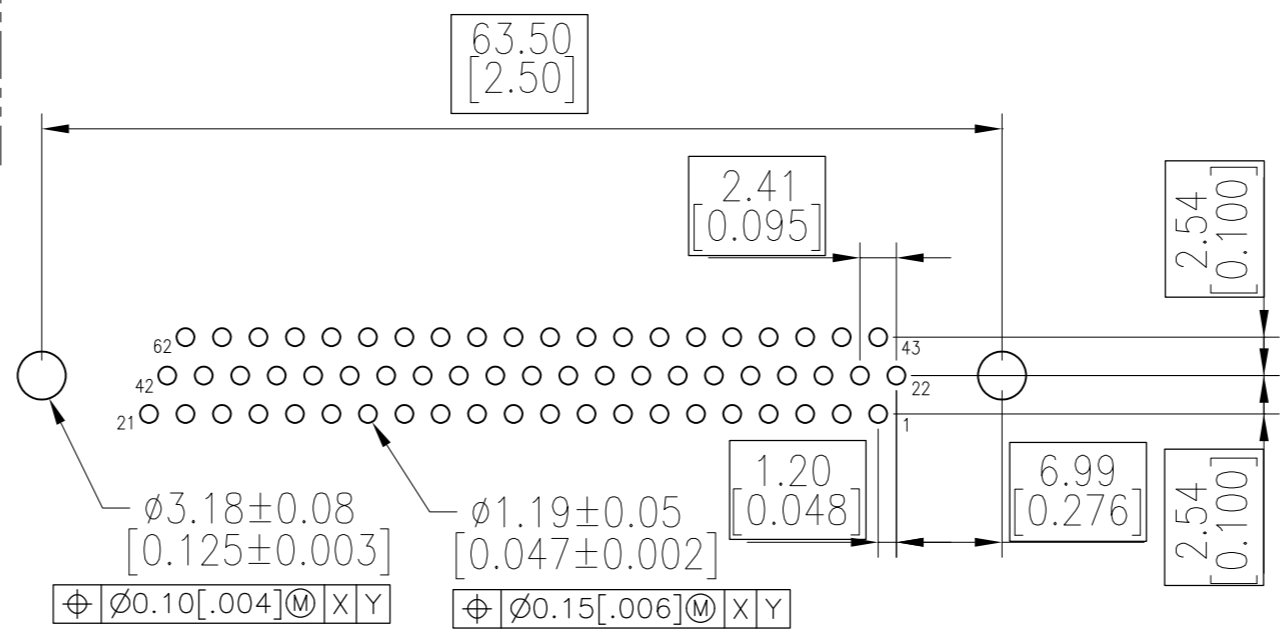
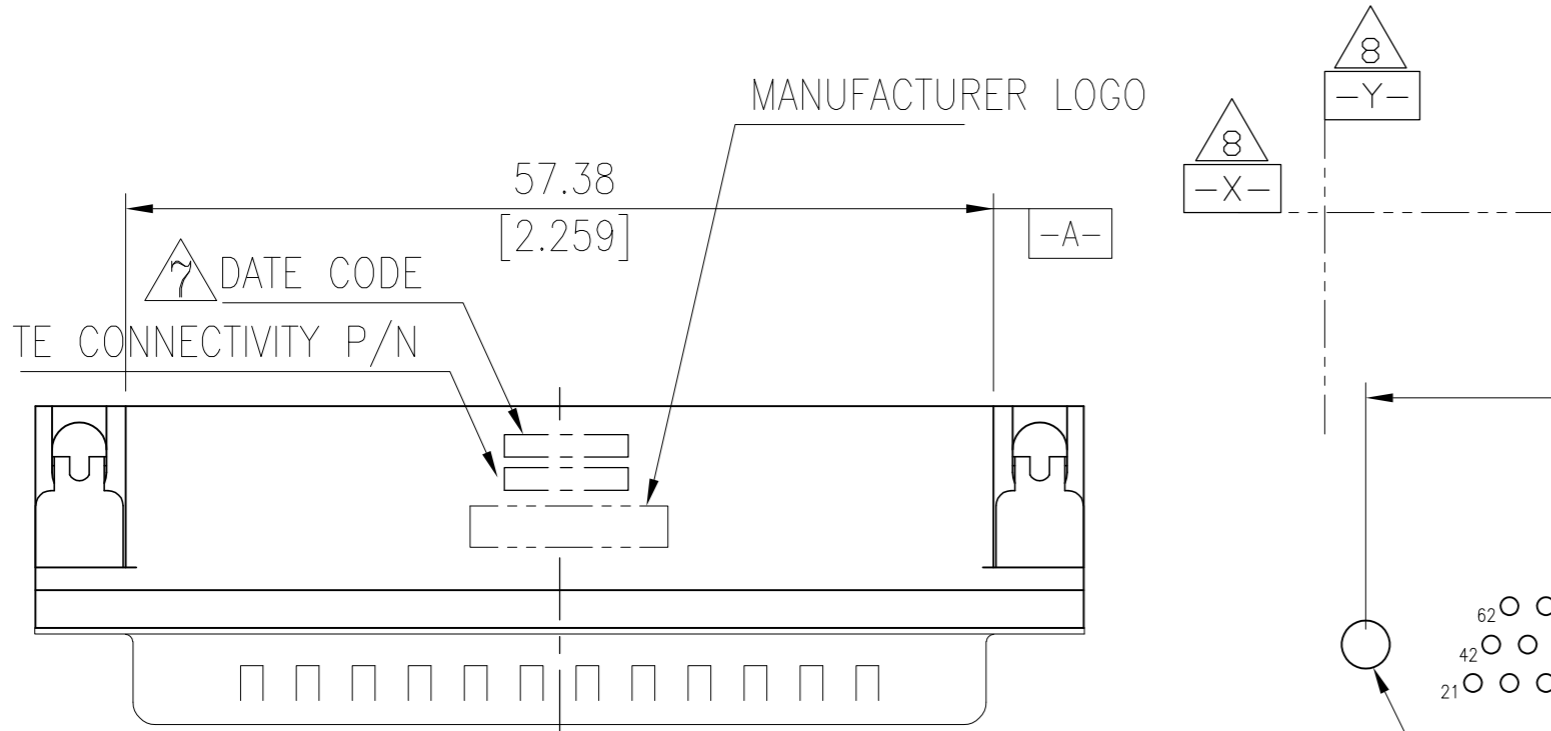


THIS DRAWING IS UNPUBLISHED. RELEASED FOR PUBLICATION
 © COPYRIGHT - By - ALL RIGHTS RESERVED.

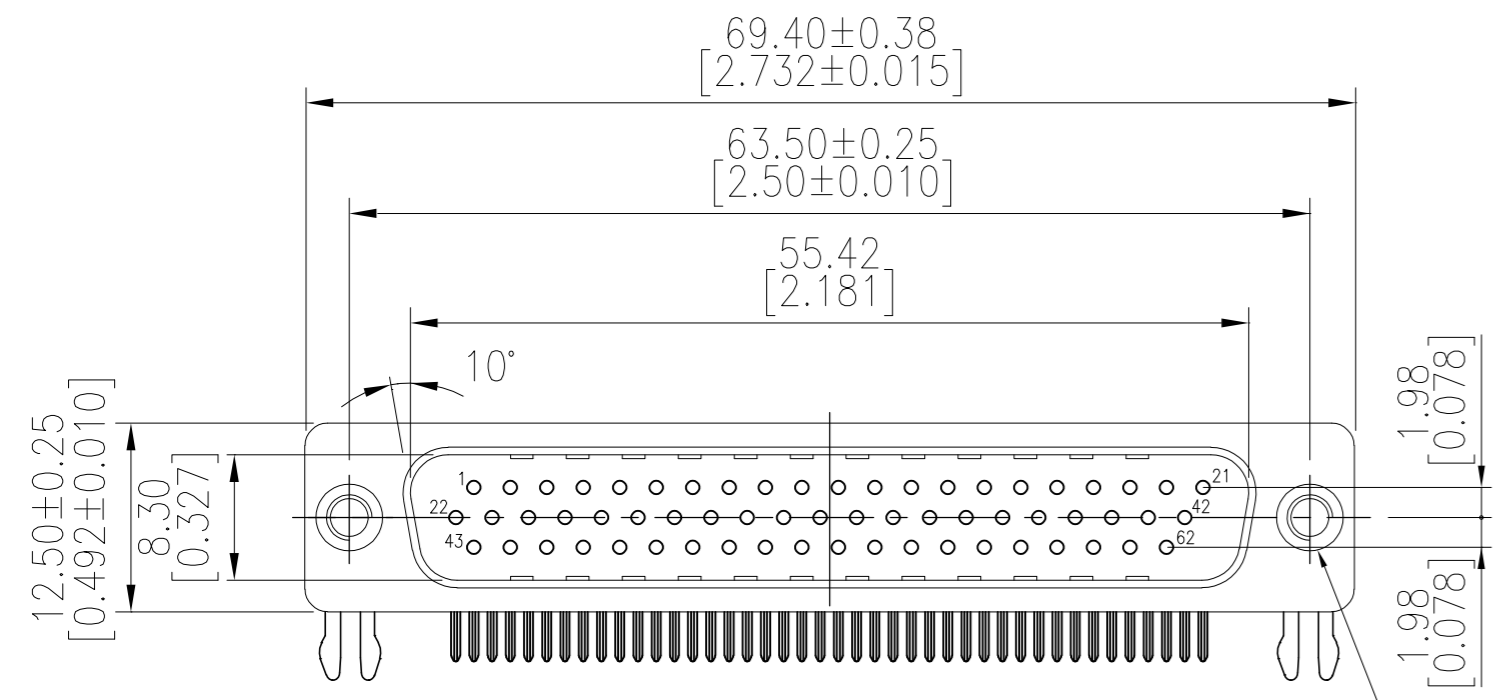
| LOC | | DIST | | REVISIONS | | | |
|-----|----|------|-----|---------------------------|---------|-----|------|
| GP | 00 | P | LTR | DESCRIPTION | DATE | DWN | APVD |
| | | A1 | | REVISED PER ECO-11-005033 | 23MAR11 | RK | HMR |



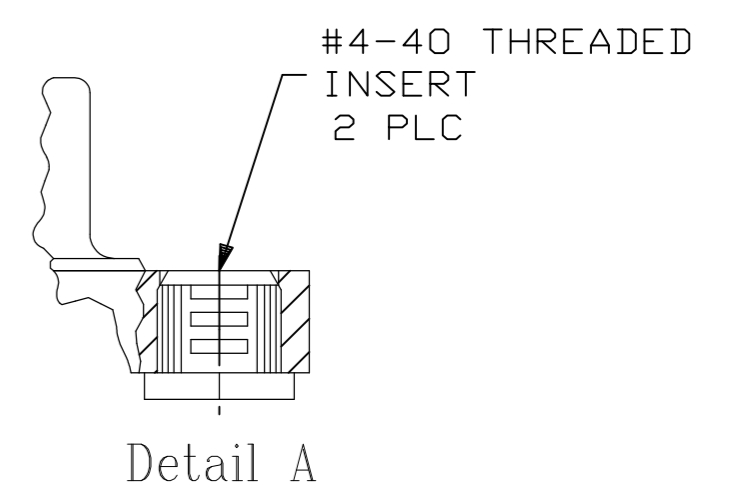
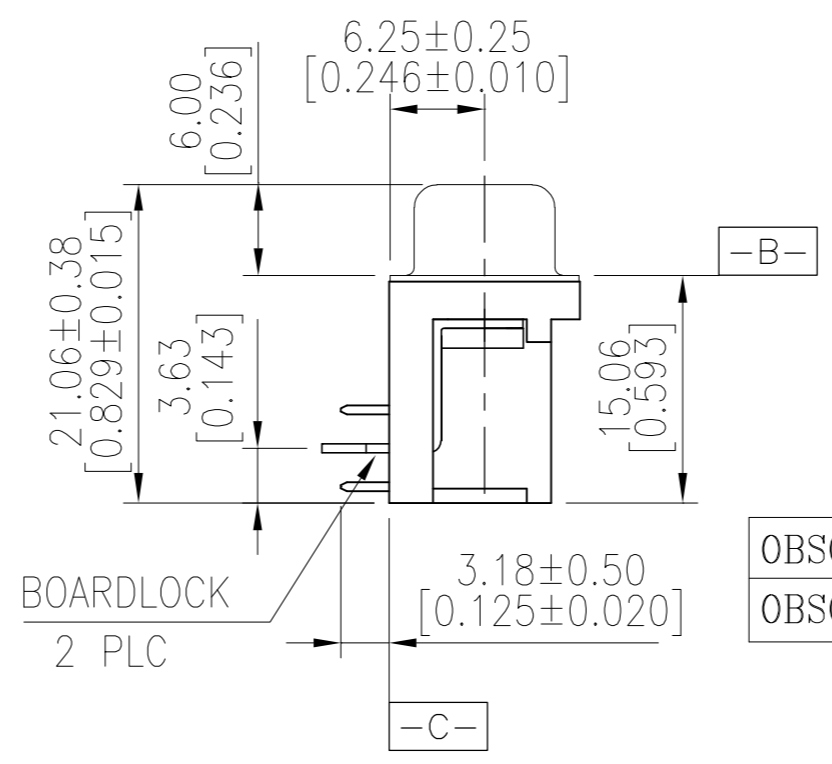
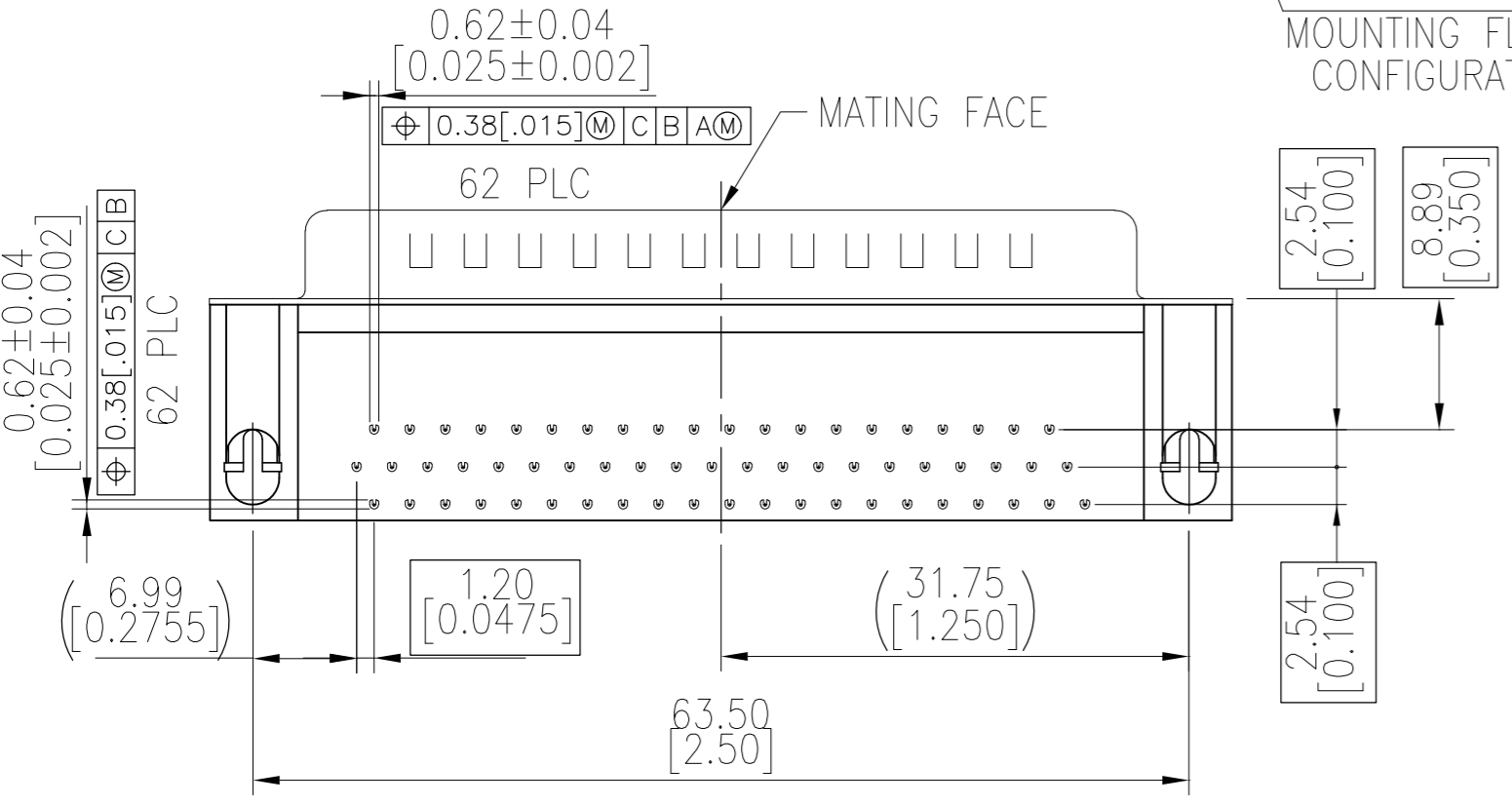
- HOUSING MATERIAL: PBT, GLASS FILLED, BLACK, UL 94V-0 RATED.
- CONTACT MATERIAL: PHOSPHOR BRONZE.
- CONTACT FINISH: GOLD PLATE IN MATING AREA (SEE TABLE), 120μ" MIN TIN PLATE ON SOLDER TAIL, BOTH OVER 50μ" MIN NICKEL UNDERPLATE.
- SHELL: STEEL, NICKEL PLATE.
- BOARDLOCK: BRASS, 100μ" MIN TIN PLATE.
- THREADED INSERTS: BRASS, NICKEL PLATE.

7 FOUR DIGIT DATE CODE IN THIS FORMAT.
 Year 01 45 Manufacturing Week

8 DATUMS -X- & -Y- TO BE ESTABLISHED BY CUSTOMER.



SEE TABLE FOR MOUNTING FLANGE CONFIGURATION



| | | | | |
|----------|-----------|-------------------------------|----------------------------|-------------|
| OBSOLETE | Tray | Detail A | Gold flash | 5749639-3 |
| OBSOLETE | Tray | Detail A | 15μ" MIN | 5749639-2 |
| | Tray | Detail A | 30μ" MIN | 5749639-1 |
| | Packaging | Mounting Flange Configuration | CONTACT MATING AREA FINISH | PART NUMBER |

| | | | | |
|--|--------------|-------------------------|---|--------|
| THIS DRAWING IS A CONTROLLED DOCUMENT. | | DWN B. MCMASTER 21SEP05 | TE Connectivity | |
| DIMENSIONS: mm | | CHK S. BOLASH 21SEP05 | NAME AMPLIMITE HD-22 62 POS PLUG, RIGHT ANGLE | |
| TOLERANCES UNLESS OTHERWISE SPECIFIED: | | APVD M. WALSLEY 21SEP05 | SIZE CAGE CODE DRAWING NO RESTRICTED TO | |
| 0 PLC ± - | 1 PLC ± 0.30 | PRODUCT SPEC | A2 00779 C=5749639 | - |
| 2 PLC ± 0.20 | 3 PLC ± 0.10 | APPLICATION SPEC | SCALE 1:1 SHEET 1 OF 1 | REV A1 |
| 4 PLC ± - | ANGLES ± 2° | WEIGHT - | CUSTOMER DRAWING | |
| MATERIAL - | FINISH - | | | |