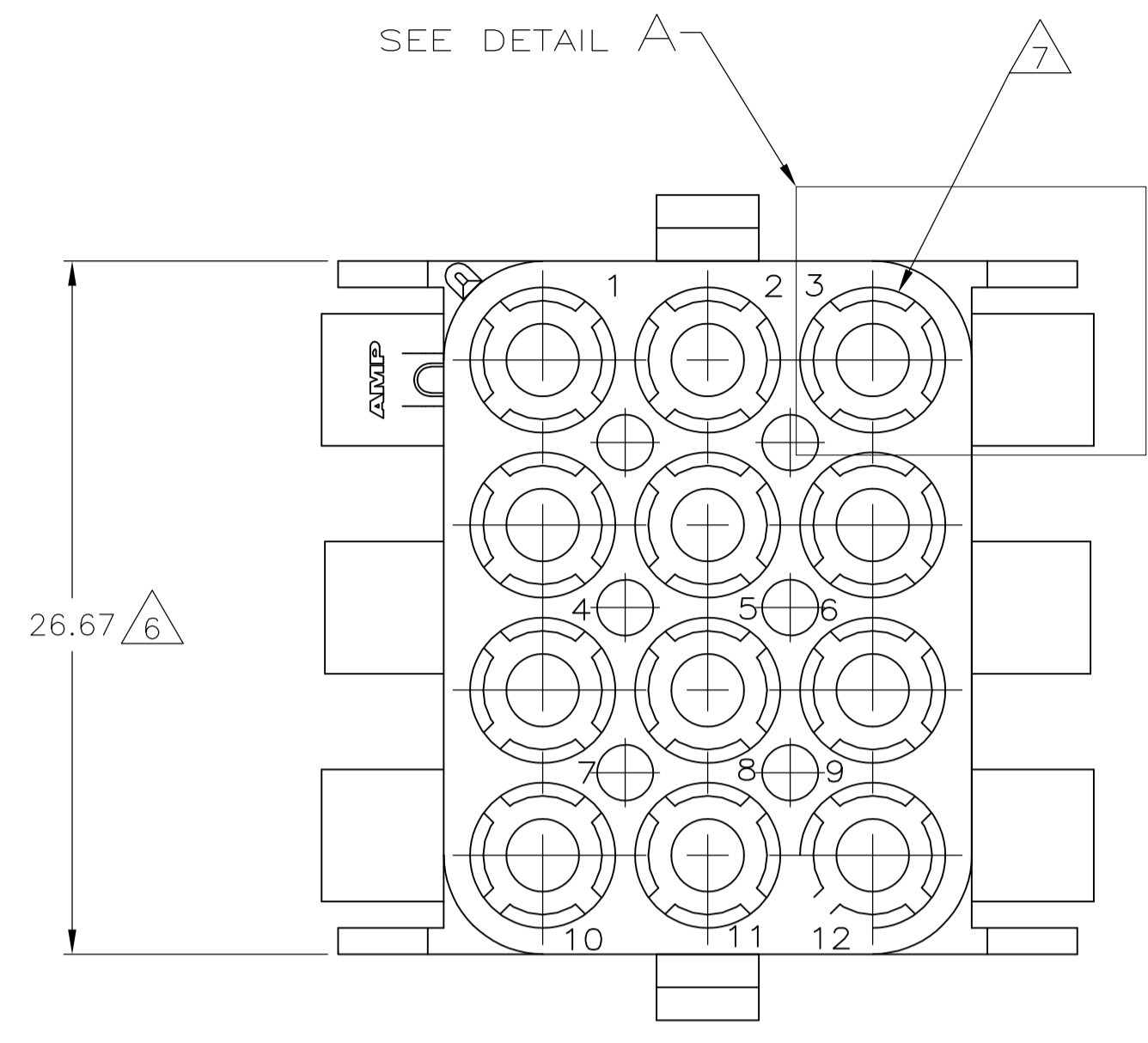
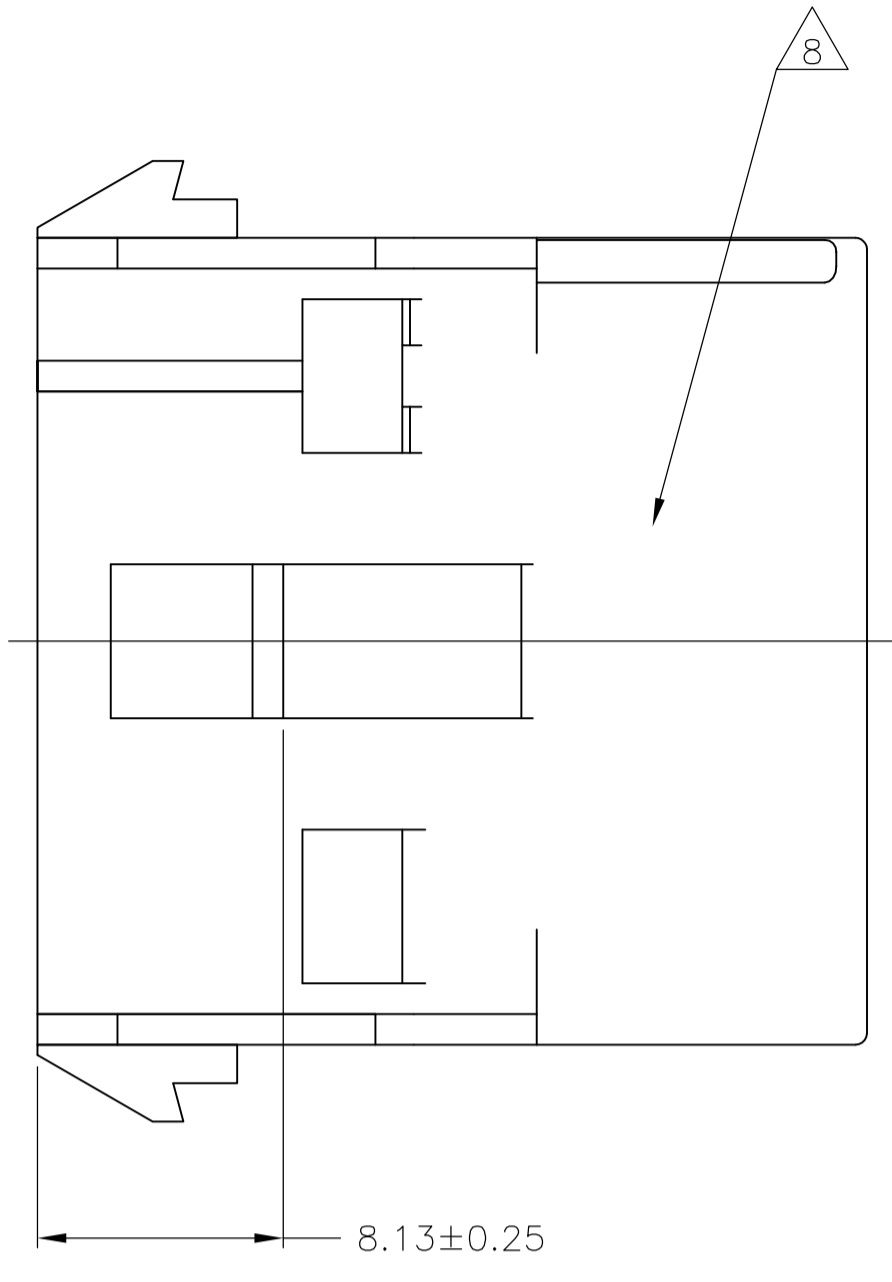
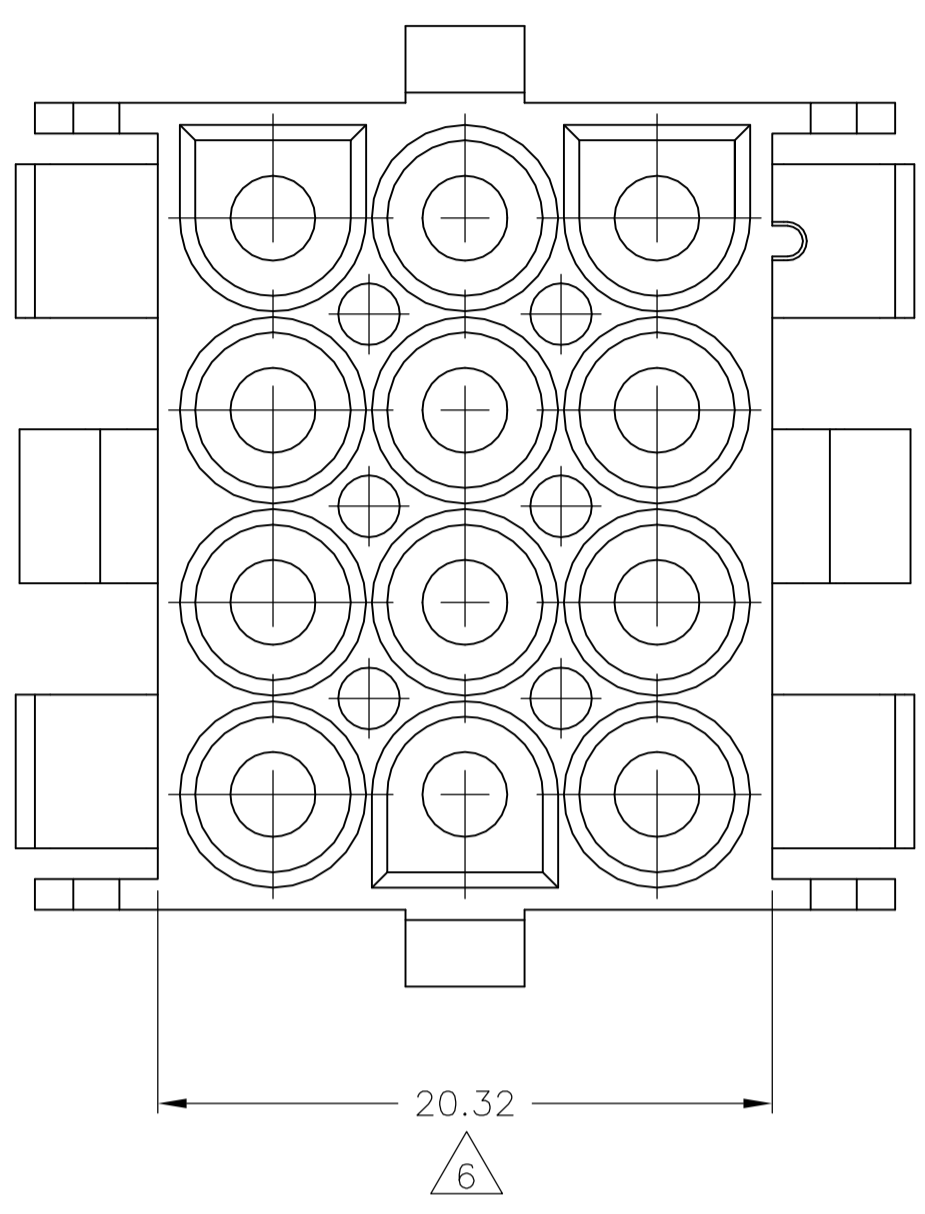
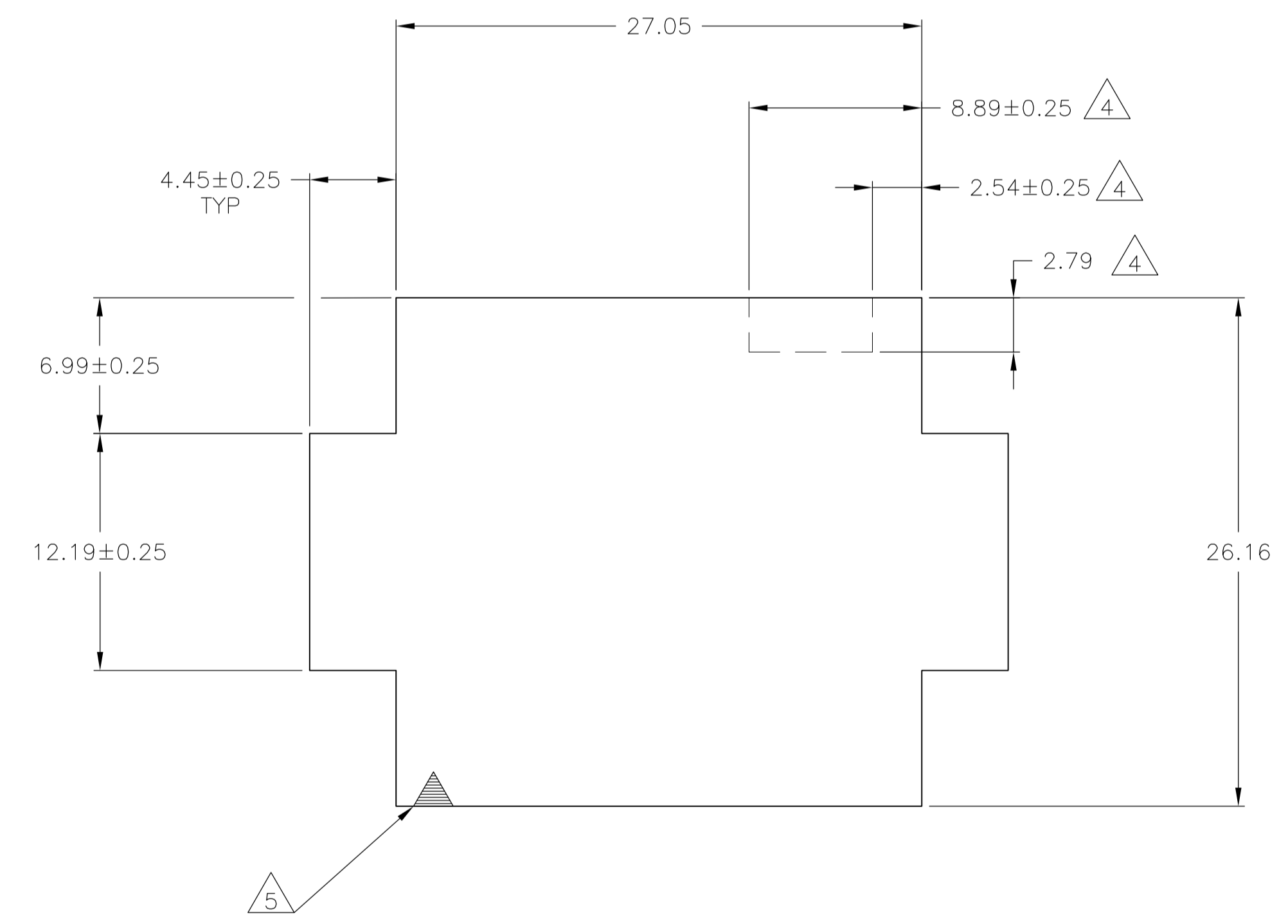
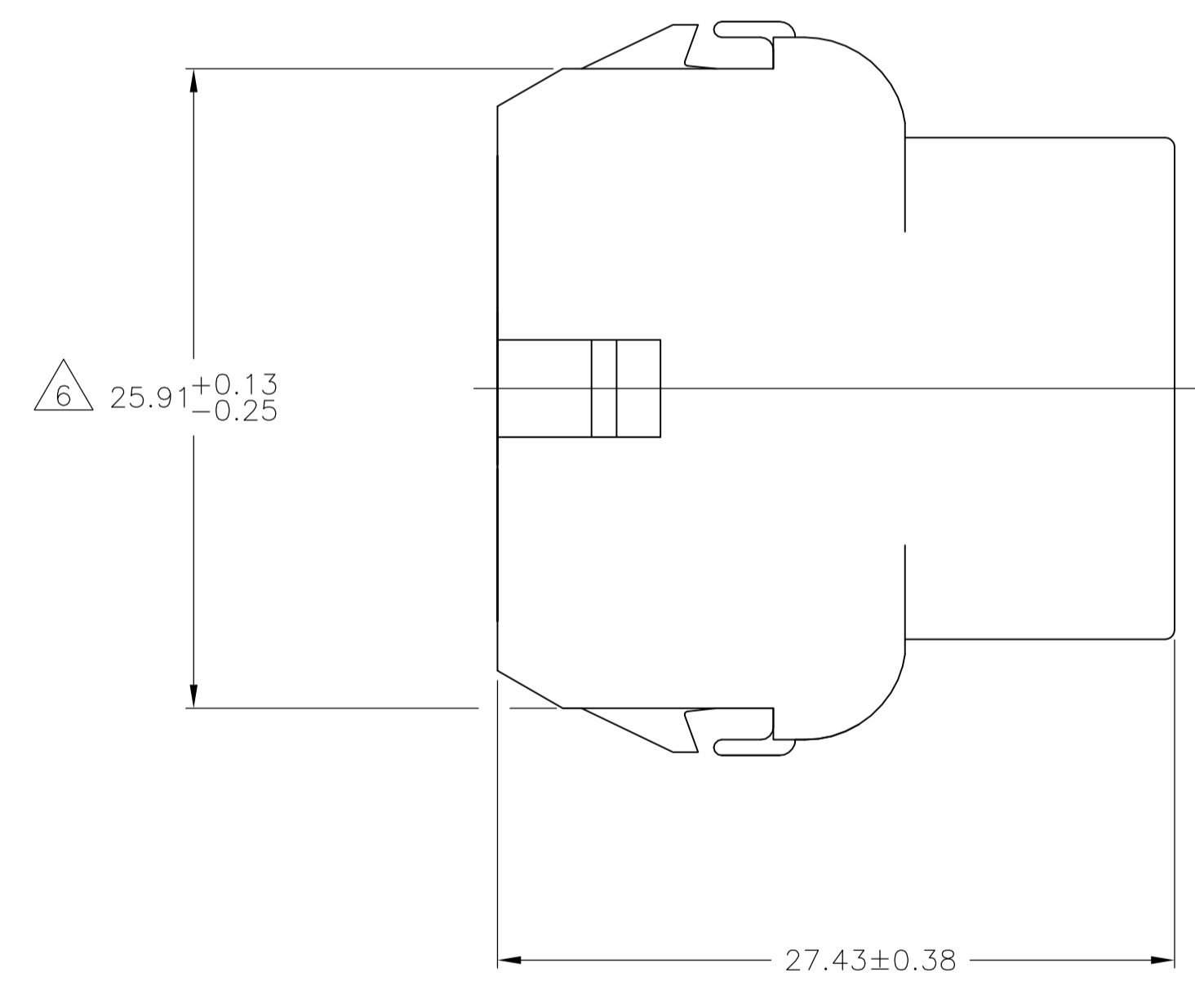
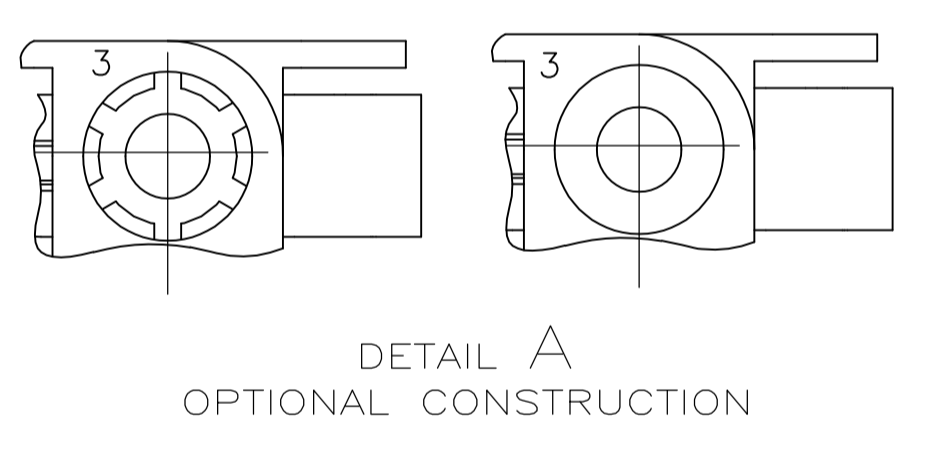


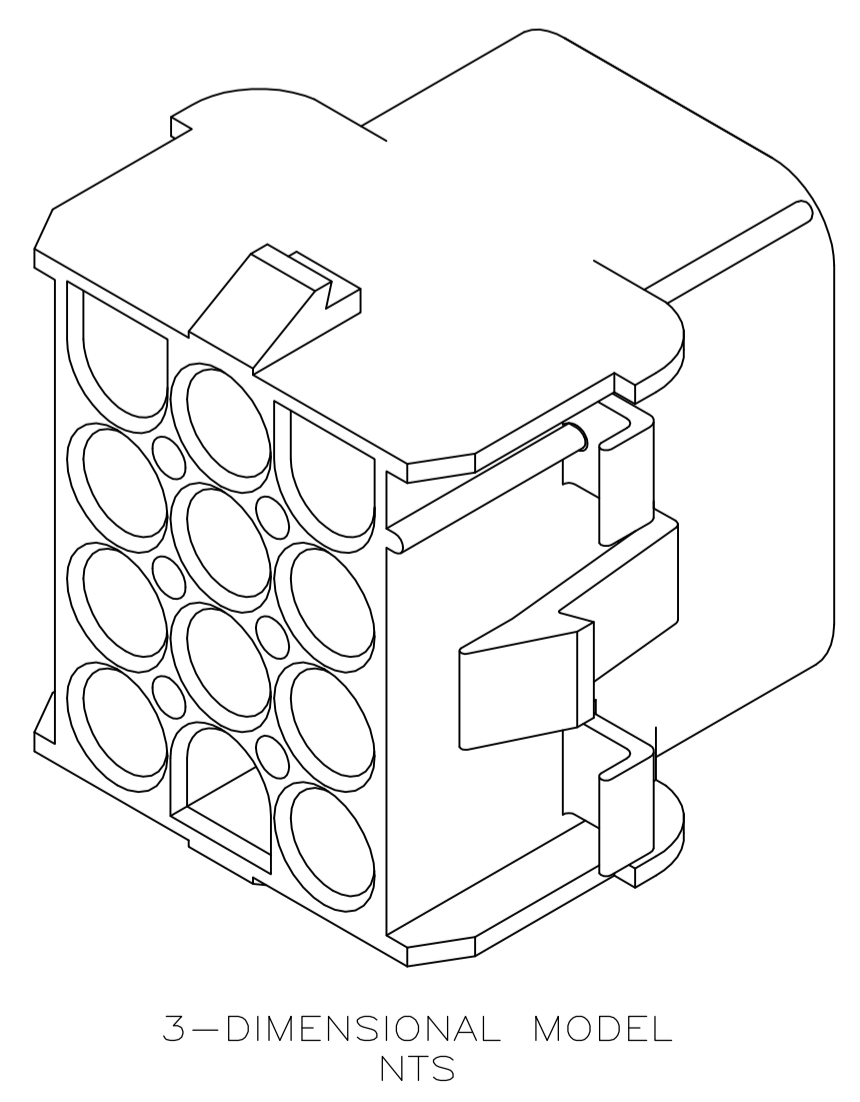
LOC		DIST		REVISIONS			
P	LTR	DESCRIPTION	DATE	DMN	APVD		
U2		REVISED PER ECO-11-005139	25MAR11	RK	HMR		



1. MATES WITH APPROPRIATE UNIVERSAL MATE-N-LOK™ PLUG.
2. RECOMMENDED PANEL THICKNESS 0.76 - 2.29.
3. PANEL MUST BE PUNCHED SO THAT THE HOUSING ENTERS THE PANEL IN THE SAME DIRECTION AS THE PUNCH.
4. OPTIONAL FOR KEYING HOUSING IN PANEL.
5. CIRCUIT NUMBER 1 LOCATION.
6. DIMENSION INDICATED IS AS MOLDED. ADDITIONAL GROWTH DUE TO SUBSEQUENT MOISTURE ABSORPTION MAY OCCUR.
7. FOUR RIBS EQUALLY SPACED, NO SPECIFIC ORIENTATION. NO RIBS OR SIX RIBS EQUALLY SPACED, NO SPECIFIC ORIENTATION, OPTIONAL.
8. UNDERWRITERS RECOGNIZED COMPONENT LOGO AND CSA CERTIFICATION LOGO TO BE LOCATED ONCE EACH ON SIDE OF HOUSING.



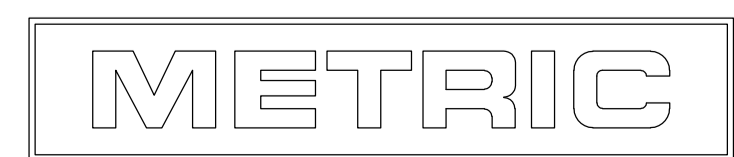
RECOMMENDED PANEL CUT OUT



MM	IN	MM	IN
6.99	.275	27.43	1.080
4.45	.175	27.05	1.065
2.79	.110	26.67	1.050
2.54	.100	26.16	1.030
2.29	.090	25.91	1.020
0.76	.030	20.32	.800
0.38	.015	12.19	.480
0.25	.010	8.89	.350
0.13	.005	8.13	.320

CONVERSION TABLE

BLACK	1-350783-9
GRAY	1-350783-8
BLUE	1-350783-6
GREEN	1-350783-5
YELLOW	1-350783-4
ORANGE	1-350783-3
RED	1-350783-2
BROWN	1-350783-1
NATURAL	350783-1
COLOR	PART NO.



THIS DRAWING IS A CONTROLLED DOCUMENT.

DIN	K. WHITAKER	28MAY92	
CHK	R. SWING	28MAY92	
APP'D	D. SELF	02JUN92	
PRODUCT SPEC			
APPLICATION SPEC			
WEIGHT			
MATERIAL	NYLON,UL 94V-0	FINISH	-
SIZE	A1	CAGE CODE	00779
DRAWING NO		DRAWING NO	350783
RESTRICTED TO		SCALE	4:1
CUSTOMER DRAWING		SHEET	1 of 1
		REV	U2

STE TE Connectivity

NAME: CAP,12 CIRCUIT, UNIVERSAL MATE-N-LOK™