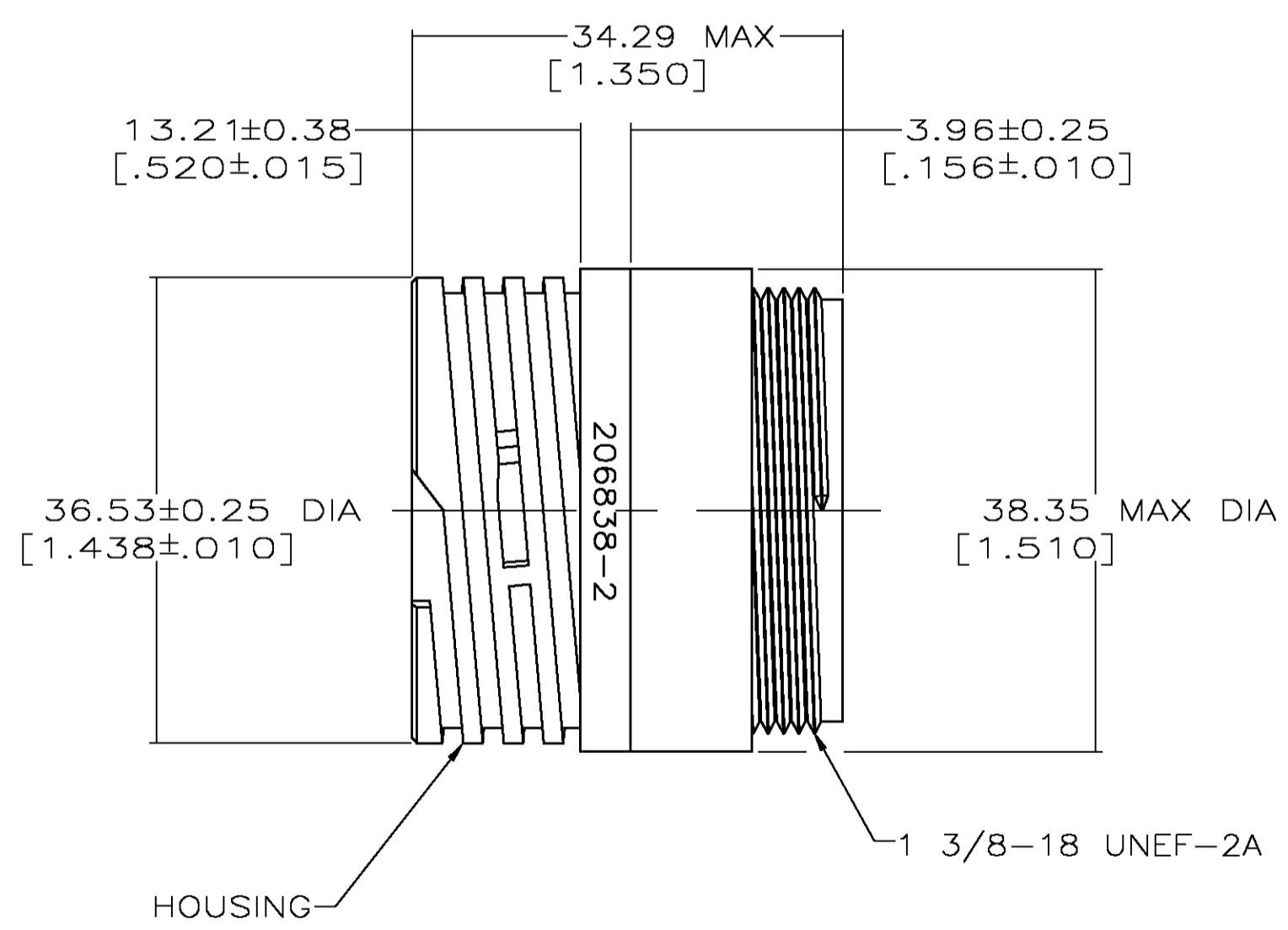
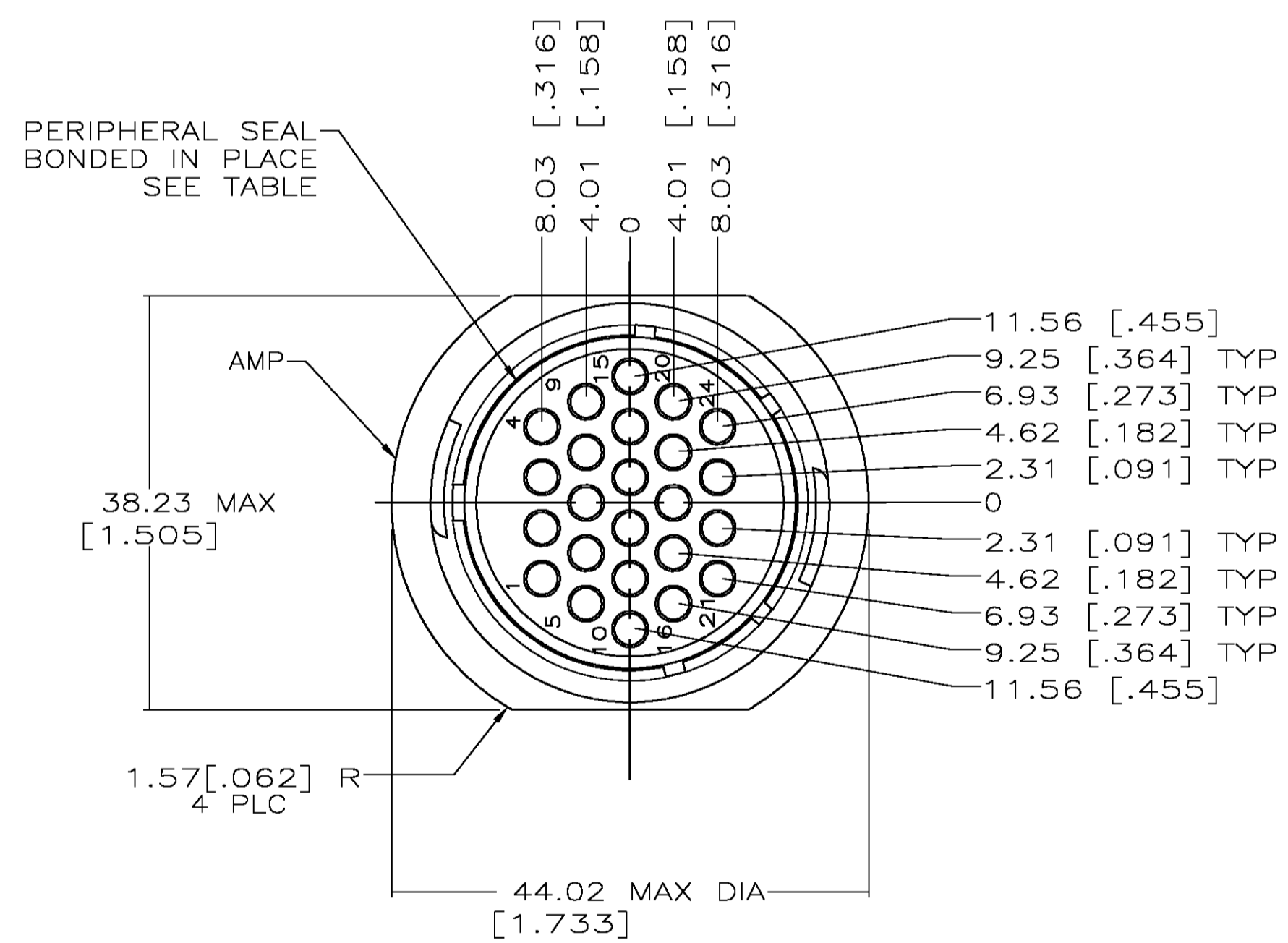


DETAIL A

RECOMMENDED PANEL CUTOUT



DETAIL B

1. CAVITY IDENTIFICATION ON FRONT AND REAR FACE.
2. WILL ACCEPT (24) MULTIMATE PIN CONTACTS.
3. NO 4 FASTENER RECOMMENDED FOR MOUNTING.
4. MAXIMUM INSULATION NOT TO EXCEED .150 DIA.

STANDARD	YES	A	206838-7
SMALL PACK	NO	A	206838-5
STANDARD	YES	B	206838-4
STANDARD	YES	A	206838-3
STANDARD	NO	B	206838-2
STANDARD	NO	A	206838-1
PACKAGING	PERIPHERAL SEAL	SEE DETAIL	PART NUMBER

THIS DRAWING IS A CONTROLLED DOCUMENT.		DWG D. GELTZ 10/29/92	Tyco Electronics Corporation Harrisburg, Pa 17105-3508	
DIMENSIONS: mm [INCHES]		CHK R. STONE 08/11/93	APVD -	
TOLERANCES UNLESS OTHERWISE SPECIFIED:		NAME -		
0 PLC	± .005	PRODUCT SPEC 108-10024		
1 PLC	± .005	APPLICATION SPEC -		
2 PLC	± 0.13 [.005]	SIZE A1		
3 PLC	± .005	CAGE CODE 00779		
4 PLC	± .005	DRAWING NO 206838		
ANGLES	± .005	RESTRICTED TO -		
MATERIAL HOUSING: NYLON, BLACK	FINISH -	WEIGHT -		
CUSTOMER DRAWING		SCALE 2:1 SHEET 1 OF 1 REV K		