

4

3

2

1

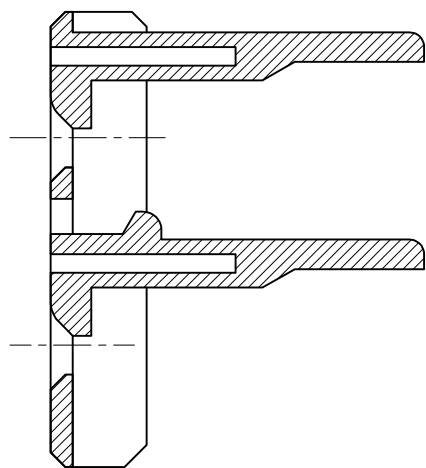
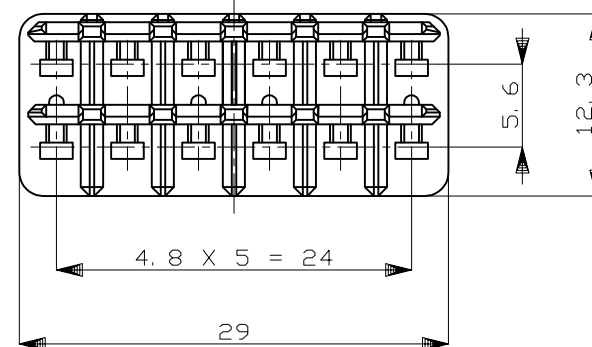
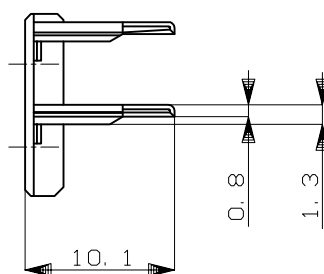
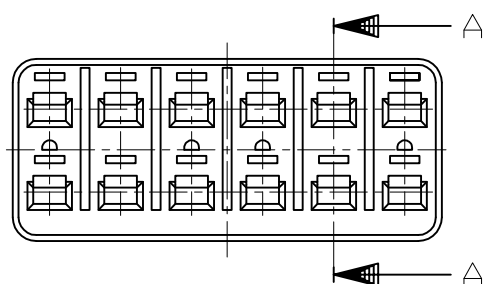
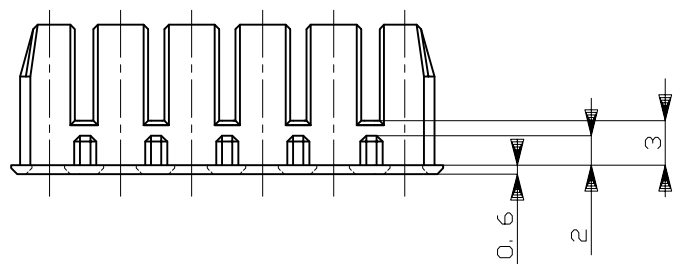
THIS DRAWING IS UNPUBLISHED.

RELEASED FOR PUBLICATION

© COPYRIGHT - By -

ALL RIGHTS RESERVED.

LOC	DIST	REVISIONS					
		P	LTR	DESCRIPTION	DATE	DWN	APVD
J	-	B1	REVISED	ECR-15-000191	27JAN2015	TS	KB



SECTION
断面 A-A
(尺度 5:1)

1. 本品は、プラグハウジング型番174661に装着される。

1. TO BE MATED WITH PLUG HOUSING (PN 174661)

HB	自然色 (NATURAL)	1-174662-1
V-2	黄 (YELLOW)	174662-7
使用材料難燃グレード (FLAMMABILITY OF MATERIAL)	色 (COLOR)	型番 (PART NUMBER)

DIMENSIONS:		TOLERANCES UNLESS OTHERWISE SPECIFIED:		DWN		CHK		APVD		NAME	
mm		0 PLC	± -	K.ODA		Y.MATSUSAKA		M.NOBUCHI		12P. ECONOSEAL J-MARKII+ CONNECTOR DOUBLE LOCK PLATE FOR PLUG HOUSING	
		1 PLC	± -	5/2587		5/28'87		11/4'88		108-5262	
		2 PLC	± -	MATERIAL		FINISH		WEIGHT		SIZE	
		3 PLC	± -	PBT		-		-		A3 00779 C=174662	
		4 PLC	± -							CUSTOMER DRAWING	
		ANGLES	± -							SCALE 2:1 SHEET 1 of 1 REV B1	

GENERAL TOLERANCE	
0 < * ≤ 10	: ±0.2
10 < * ≤ 30	: ±0.25
30 < * ≤ 100	: ±0.3
ANGLES	: ±3°

STE TE Connectivity

SIZE	CAGE CODE	DRAWING NO	RESTRICTED TO
A3	00779	C=174662	-