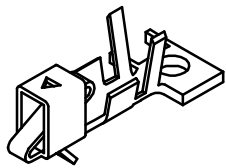
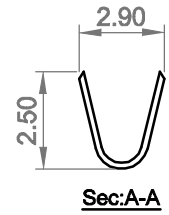
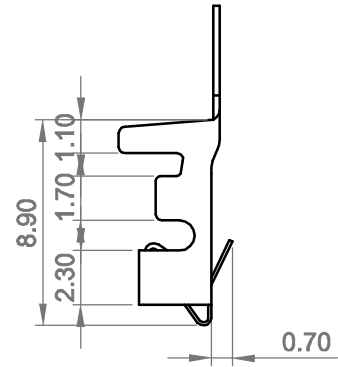
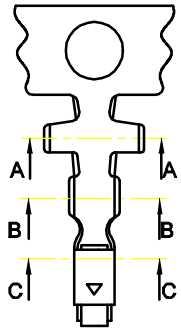


VIEW	TOLERANCE	
	0-10	±1
	11-250	±5
	251-500	±10
	501-1000	±20
	1001-3000	±50
UNIT: mm	3001-5000	±100
	5001- >	±150

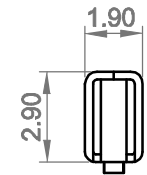


▲ Order Code : WW250-FT

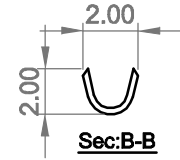
**TTAF
APPROVAL**



Sec:A-A



Sec:C-C



Sec:B-B

Wire Range	Insulation O.D.	Material	Finish	Qty/reel
AWG#22..#28	1.70 mm (max)	Brass	Tin-Plated	7.000 pcs

Date	27.04.2016	Rev.	-	Revision Detail		Rev.Dt.		Rev.by		Part No	WW250-FT		
Designed by	Yeşim AKSOY	Checked by	Fatih BOLACA							Drawing Nr.		Scale	Sheet No
										NONE		1/1	

