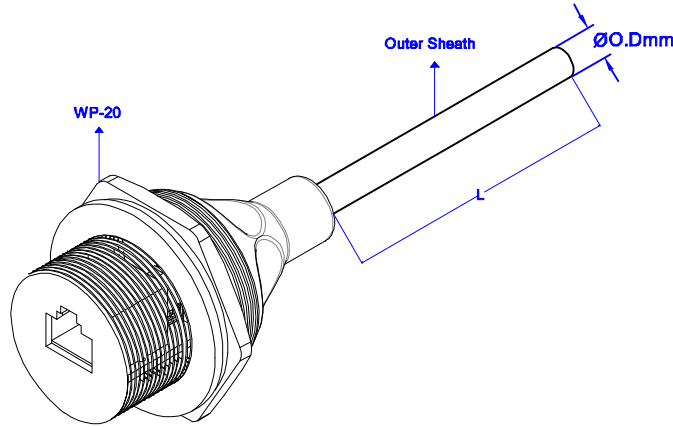


" Dimensions (mm) "



ORDER CODE:

WP-20 XXXX XX X

→ Color : B: Black

→ Cable : BM: S-FTP CAT6A 26 AWG LSZH O.D: 6,0 ±0.2

→ Lenght : L (mm)


MOLDING METARIAL: PA6  
Contract material: Silicon

Class E/Category 6 standards compliant  
Molded RJ45 connectors  
Electrically compliant beyond 250 Mhz  
Connector connection material; 1,27µm (50 µ-inc) gold plated over 2,54µm (100 µ-inc) Nickel

RoHS compliant 2002/95/EC

Number of Conductors 4 Pair UTP  
Number of insulated conductors 8 twisted per  
Cable jacket type, MATT PVC  
RJ-45 connectors available IEC 60603-7-41 terminated

Temperature Range: -20°C~ + 60°C  
IP: IP67

Date	01.12.2016	Rev.	-	Revision Detail		Rev.Dt.		Rev.by		Part No	WP-20 Su Geçirmez RJ45 Dişi (Waterproof RJ45 Female)		
Designed by	Yeşim AKSOY									Drawing Nr.	Scale	Sheet No	
Checked by	Fatih BOLACA									-	NONE	1/2	
													

1

2

3

4

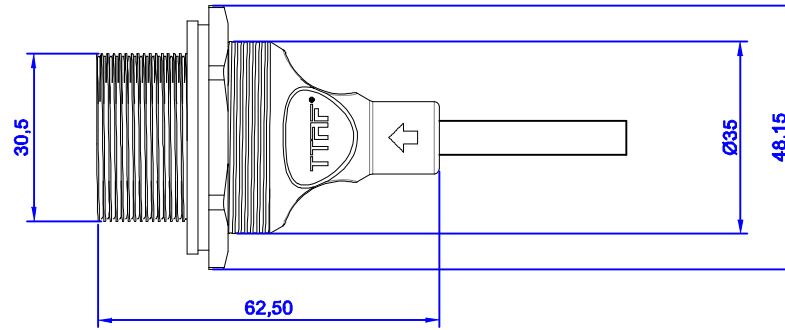
5

6

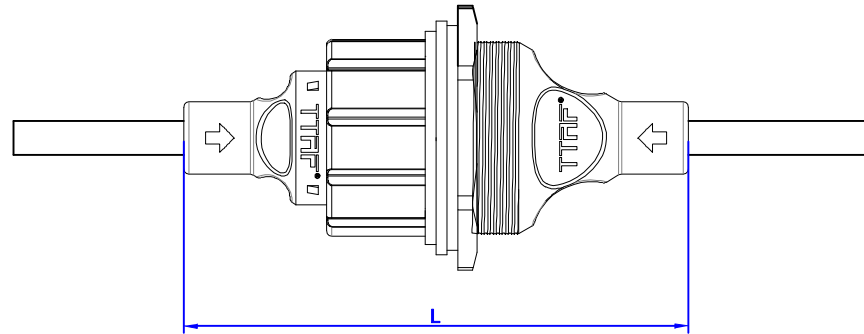
A4

" Dimensions (mm) "


FEMALE



MALE



FEMALE

Date	01.12.2016	Rev.		Revision Detail		Rev.Dt.		Rev.by		Part No		
Designed by	Yeşim AKSOY		-							<b>WP-20</b> Su Geçirmez RJ45 Dişi (Waterproof RJ45 Female)		
Checked by	Fatih BOLACA											
										Drawing Nr.	Scale	Sheet No
										-	NONE	2/2