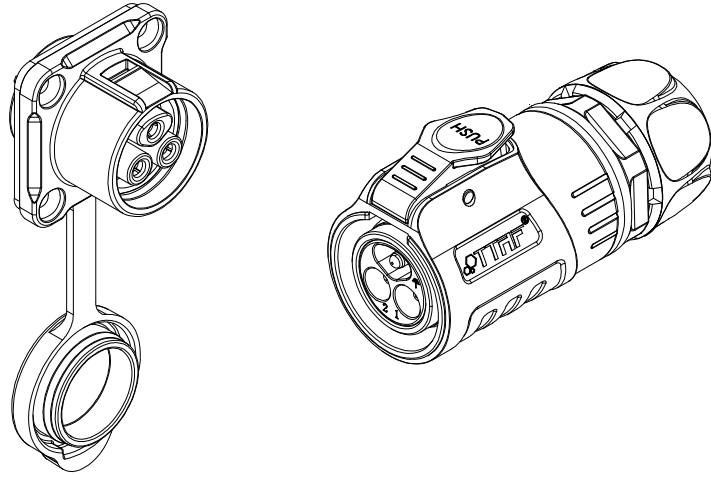


1 Material Designation: TT30 series waterproof connector



2 Materials Processes, Surface Treatment

2.1 Contact

Materials: Male Pin: Brass; Female Pin: Phosphor Bronze

Processes: Machining

Surface Treatment: Gold Plating for 4u" over nickel

2.2 Shell

Materials: PBT


Processers: Injection

2.3 Insulator

Materials: PBT

Processes: Injection

Color: Black

Date	20.05.2019	Rev.		Revision Detail		Rev.Dt.		Rev.by		Part No		
Designed by	Zafer BÖLÜKBAŞI	-								TT30 Series Waterproof Connector		
Checked by	Fatih BOLACA											
										Drawing Nr.	Scale	Sheet No
										TT-20190502001	NONE	1/7

3 Material Introduction:

3.1 Packing and Storage:

The production are packed in plastic bag, The packing list must be set in every carton, which has been given clear information of material designation, part number, production order number、 packet quantity and total product quantity. The packaged production should be stored in the storeroom ,in which Environment Temperature is $-40^{\circ}\text{C} \sim +80^{\circ}\text{C}$,Relative humidity $\leq 85\%$,no acidic, alkaline and other corrosive gases.

3.2 Mating Type:

Mated with: HP20 connector(male)

3.3 Applicable Standards : TIA/EIA 568、 MIL、 IEC、 CNS Standards


3.4 Process Requirements:

3.4.1 According to form of terminal:

The form of terminal is welding, the welding must be firm and cannot have pseudo soldering

3.4.2 According to form of mounting:

Please see the mounting hole figure.

Date	20.05.2019	Rev.		Revision Detail		Rev.Dt.		Rev.by		Part No		
Designed by	Zafer BÖLÜKBAŞI	-								TT30 Series Waterproof Connector		
Checked by	Fatih BOLACA									Drawing Nr.	Scale	Sheet No
										TT-20190502001	NONE	2/7

PRODUCT CODE

Product series **Type of terminal** **Connecting of Wire** **Special code**

M: male pin
F: female pin
R: RJ45
U: USB
F: fiber-optical


0: solder

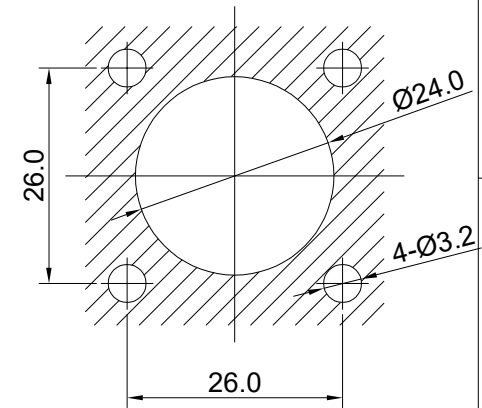
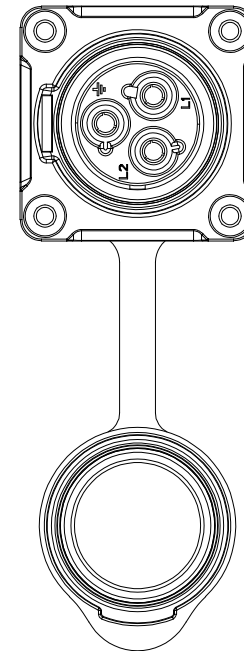
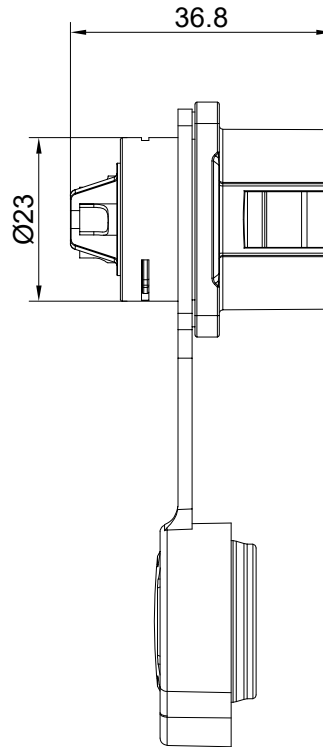
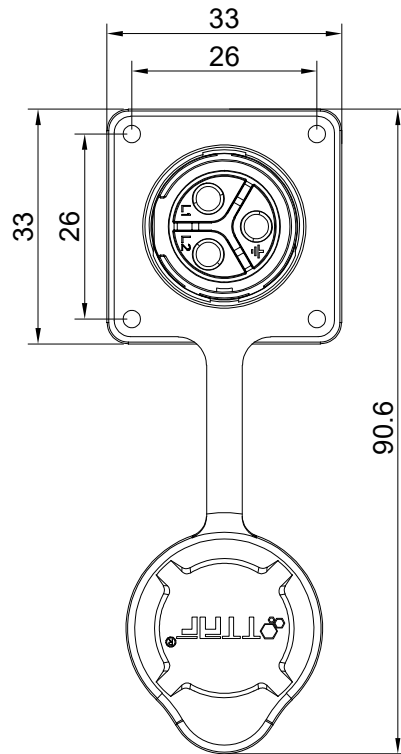
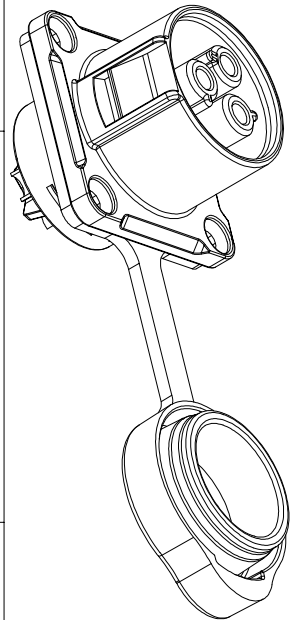
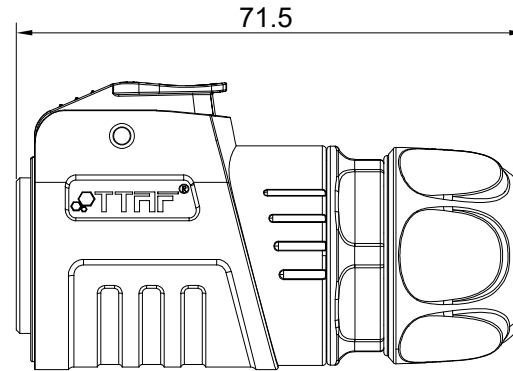
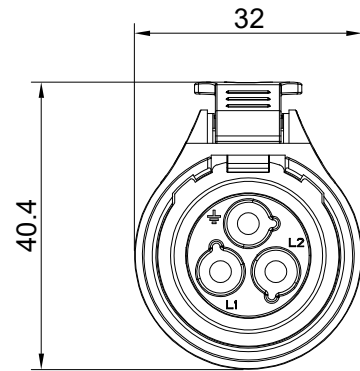
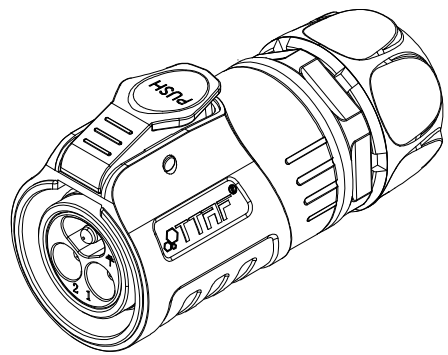
Material
Color

TT **30** **M** **03** **PE** **0** **1** **001**


Mounting size **Quantity of terminal** **Category** **Generation**

PE: Plug
SX: Socket

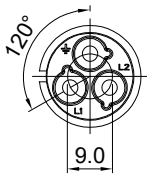
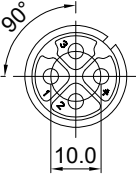
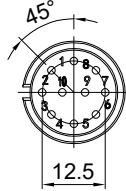

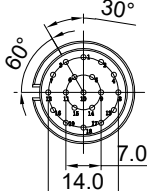
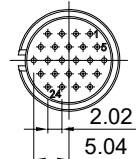
Date	20.05.2019	Rev.	Revision Detail		Rev.Dt.	Rev.by	Part No		
Designed by	Zafer BÖLÜKBAŞI	-					TT30 Series		
Checked by	Fatih BOLACA						Waterproof Connector		
						Drawing Nr.		Scale	Sheet No
						TT-20190502001		NONE	3/7




RECOMMENDED PANEL HOLE


Date	20.05.2019	Rev.		Revision Detail		Rev.Dt.		Rev.by		Part No		
Designed by	Zafer BÖLÜKBAŞI	-								TT30 Series		
Checked by	Fatih BOLACA									Waterproof Connector		
										Drawing Nr.	Scale	Sheet No
										TT-20190502001	NONE	4/7

4 Product Characteristics Form:

Number of pins						
	THREE PINS	FOUR PINS	TEN PINS	TWELVE PINS	NINETEEN PINS	TWENTY FOUR PINS
Rated current	22A		10A		3A	
Operating voltage	500V		250V		125V	
Withstanding voltage	2500V		2500V		1500V	
Contact resistance	< 1mΩ		< 3mΩ		< 5mΩ	
Temperature rise	20A 30°C ↓ 25A 40°C ↓ 30A 50°C ↓		10A 30°C ↓ 15A 40°C ↓ 20A 50°C ↓		3A 30°C ↓ 7A 40°C ↓ 10A 50°C ↓	
Contact dimension	φ3.0*3	φ3.0*4	φ1.5*10	φ1.5*12	φ1.0*19	φ1.0*24
Maint cycle	1700 Times					

Date	20.05.2019	Rev.		Revision Detail	Rev.Dt.	Rev.by	Part No		
Designed by	Zafer BÖLÜKBAŞI	-					TT30 Series		
Checked by	Fatih BOLACA						Waterproof Connector		
							Drawing Nr.	Scale	Sheet No
							TT-20190502001	NONE	5/7

A	Screw toque	42-53 (N.m) Torque wrench200 (N.m)	A
	Temperature and humidity	-40°C~+80°C;40°C, 85%RH	
	Vibration	Frequency:5~200Hz,Amplitude:5mm,Speed:10m/s, No instantaneous short circuit in 0.10us.	
B	Impact resistance	294m/s ²	B
	Salt spray	PH6.5~7.2,NaCl,5% 48H	
	Applicable wire diameter	Scope of application(OD:φ10~φ14)mm for Power,3/4/10/12/19/24pins Scope of application(OD:φ5~φ6.5)mm for Signal ,USB,RJ45,Optical fiber	
C	Protection level	IP67	C
	Certification standard	Comply with the TUV and UL certification standards	
D	Operation tool	Design with national standard opening wrench(see attached table)	D

Date	20.05.2019	Rev.		Revision Detail	Rev.Dt.	Rev.by	Part No		
Designed by	Zafer BÖLÜKBAŞI	-					TT30 Series		
Checked by	Fatih BOLACA						Waterproof Connector		
							Drawing Nr.	Scale	Sheet No
							TT-20190502001	NONE	6/7