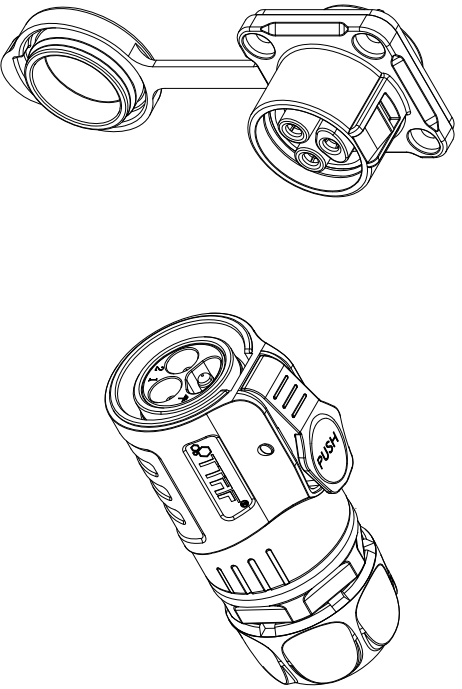


1 Material Designation: TT20 series waterproof connector



2 Materials Processes, Surface Treatment

2.1 Contact


Materials: Male Pin: Brass; Female Pin: Phosphor Bronze
 Processes: Machining
 Surface Treatment: Gold Plating for 4u" over nickel

2.2 Shell

Materials: PBT
 Processers: Injection

2.3 Insulator

Materials: PBT
 Processes: Injection
 Color: Black

Date	03.08.2013	Rev.	-	Revision Detail	Rev.Dt.	Rev.Dt.	Rev.Dt.	Part No	TT20 Series
Designed by	Zafer BOLUKBASI							Waterproof Connector	
Checked by	Fatih BOLUCA							Drawing Nr.	TT-20180903001
								Scale	NONE
								Sheet No	1/7

1 2 3 4 5 6

A A

2 Materials Processes, Surface Treatment

2.1 Contact

Materials: Male Pin: Brass; Female Pin: Phosphor Bronze

Processes: Machining

Surface Treatment: Gold Plating for 4u" over nickel

2.2 Shell

Materials: PBT

Processers: Injection

2.3 Insulator

Materials: PBT

Processes: Injection

Color: Black


3 Material Introduction:

3.1 Basic Information

The performance of this connector is in conformity with Linko electric enterprise standard(in accordance with the TIA/EIA 568, MIL, IEC, CNS, etc.), the socket and adapter plug use spring snap lock for connection, convenient and reliable, shock resistance. The socket is mounted on the panel through the square flange, and the contact part shall be welded with the end of the conductor.
Offer standard insert arrangements from 2-8pins.

D D

1 2 3 4 5 6

Date	03.08.2013	Rev.	-	Revision Detail	Rev.Dt.	Rev.by	Part No
Designed by	Zafer BOZUKBASLI						TT20 Series
Checked by	Fatih BOLACA						Waterproof Connector
							Drawing Nr.
							Scale
							Sheet No
							TT-20180903001 NONE 2/7

A4

1

2

3

4

5

6

A

A

3.2 Packing and Storage:

The production are packed in plastic bag, The packing list must be set in every carton, which has been given clear information of material designation, part number, production order number、packet quantity and total product quantity. The packaged production should be stored in the storeroom ,in which Environment Temperature is $-40^{\circ}\text{C} \sim +80^{\circ}\text{C}$,Relative humidity $\leq 85\%$,no acidic, alkaline and other corrosive gasses.

3.3 Mating Type:

Mated with: TT20 connector(male)

3.4 Applicable Standards : TIA/EIA 568、MIL、IEC、CNS Standards**3.5 Process Requirements:****3.5.1 According to form of terminal:**

The form of terminal is welding, the welding must be firm and cannot have pseudo soldering

3.5.2 According to form of mounting:

Please see the mounting hole figure.

C

C

D

D

1

2


3

4

5

6

A4

Date	03.08.2013	Rev.	-	Revision Detail	Rev.Dt.	Rev.Dt.	Rev.Dt.	Part No	TT20 Series		
Designed by	Zafer BOLUOĞRAŞI								Waterproof Connector		
Checked by	Fatih BOLUACA								Drawing Nr.	Scale	Sheet No
									TT-20180903001	NONE	3/7
											

PRODUCT CODE

Product series **Type of terminal**

C: male pin

J: female pin

K: male & female pin

R: RJ45

U: USB

F: fiber-optical

Connecting of Wire

0: solder

1: crimp

2: lock

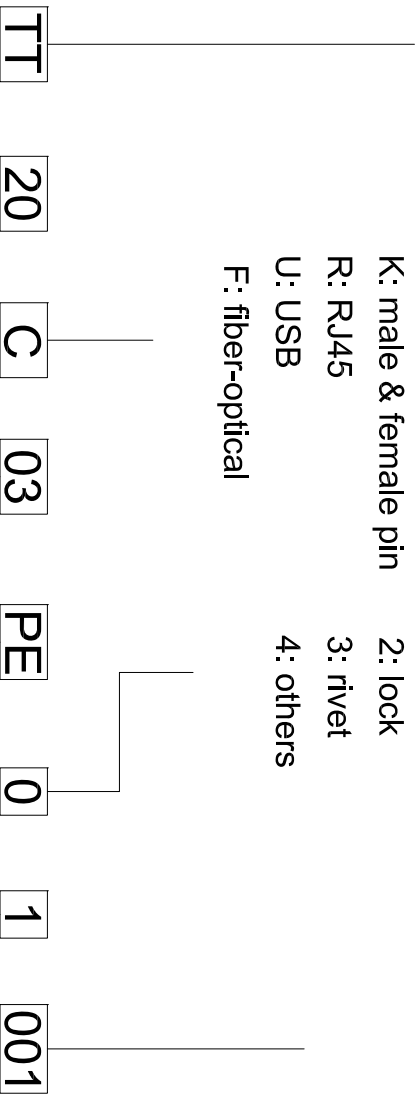
3: rivet

4: others

Special code

Material

Color



Mounting size **Quantity of terminal** **Category** **Generation**

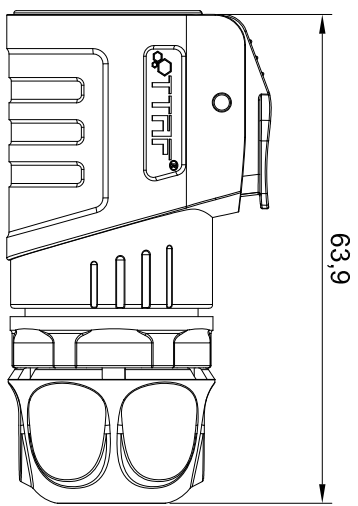
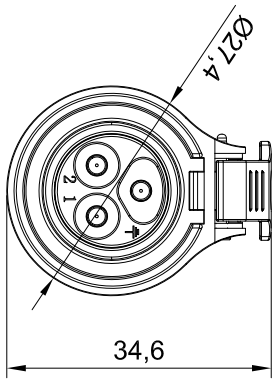
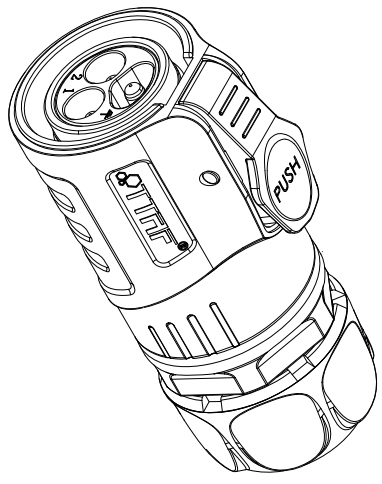
PE: Plug

SX: Socket

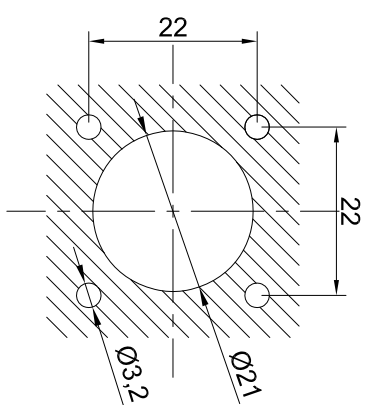
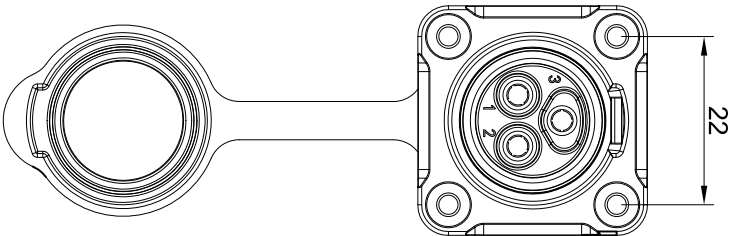
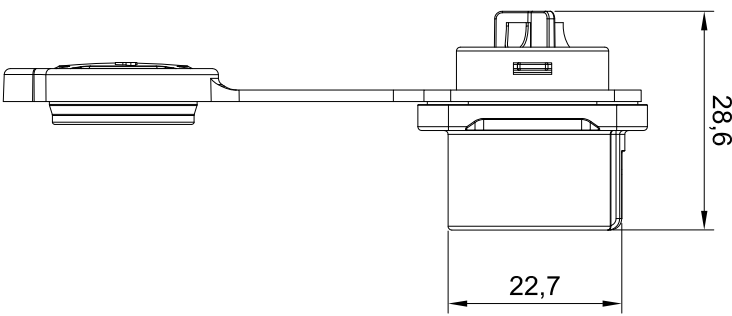
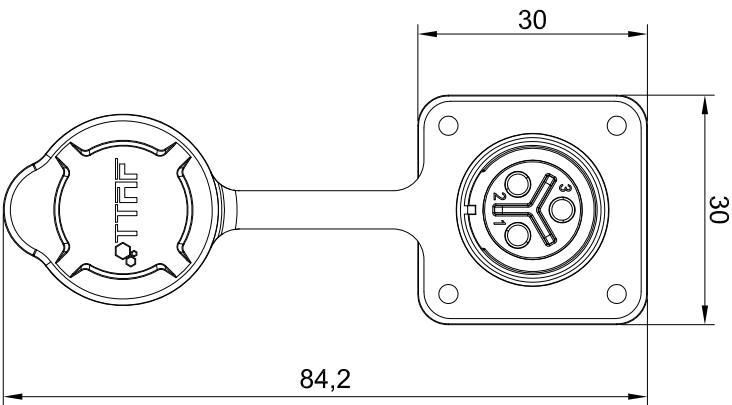
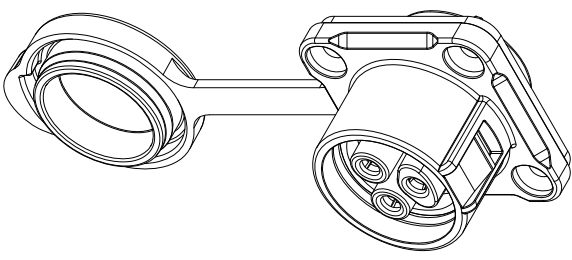
PP: Connecting/dock

Date	03.08.2013	Rev.	-	Revision Detail	Part No	TT20 Series		
Designed by	Zafer BOLUKBASI					Waterproof Connector		
Checked by	Fatih BOLUCA					Drawing Nr.	Scale	Sheet No
						TT-20180903001	NONE	4/7

TT-20-C_PP-XX-001 Plug

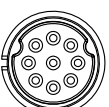


TT-20-C_PP-XX-001 Socket




Date	03.08.2013	Rev.	-	Revision Detail	Rev.Dl.	Rev.by	Part No
Designed by	Zafer BÖLÜKBAŞI						TT20 Series Waterproof Connector
Checked by	Fatih BOLACA						
							Drawing Nr.
							Scale
							Sheet No
							TT-20180903001
							NONE
							5/7

4 Product Characteristics Form:

A	Number of pins	 TWO PINS	 THREE PINS	 FOUR PINS	 FIVE PINS	 SEVEN PINS	 NINE PINS	 TWELVE PINS			
		B									
		Rated current	20A								
		Operating voltage	500V								
		Withstanding voltage	2500V								
		Contact resistance	< 1mΩ								
		Temperature rise	20A 30°C ↓ 25A 40°C ↓ 30A 50°C ↓								
		Contact dimension	φ2.7*2	φ2.7*3	φ2.7*4	φ1.8*5	φ1.8*7	φ1.0*9	φ1.0*12		
		Maint cycle	1700 Times								

Date	03.08.2013	Rev.	-	Revision Detail	Rev.Dt.	Rev.by	Part No
Designed by	Zafer BOLUOĞAŞI						
Checked by	Fatih BOLUĞA						
TTTF							
TT20 Series Waterproof Connector							
Drawing Nr.	TT-20180903001	Scale	NONE	Sheet No	6/7		

	1	2	3	4	5	6
A	Screw toque		42-53 (N.m)	Torque wrench200 (N.m)		
A	Temperature and humidity		-40°C~+80°C; 40°C, 85%RH			
A	Vibration		Frequency:5~200Hz, Amplitude:5mm, Speed:10m/s, No instantaneous short circuit in 0.10us.			
B	Impact resistance		294m/s ²			
B	Salt spray		PH6.5~7.2, NaCl, 5% 48H			
C	Applicable wire diameter		Scope of application(OD:φ8~φ12)mm for 2pins, 3pins, 4pins Scope of application(OD:φ7~φ9)mm for 5pins, 7pins Scope of application(OD:φ5.5~φ7)mm for 9pins, 12pins			
C	Protection level		IP67			
C	Certification standard		Comply with the TUV and UL certification standards			
D	Operation tool		Design with national standard opening wrench(see attached table)			

Date	03.08.2013	Rev.	-	Revision Detail		Rev.Dt.	Rev.by	Part No
Designed by	Zafer BOLUKBAŞI							TT20 Series
Checked by	Fatih BOLUCA							Waterproof Connector
								Drawing Nr.
								Scale
								Sheet No
								TT-20180903001 NONE 7/7