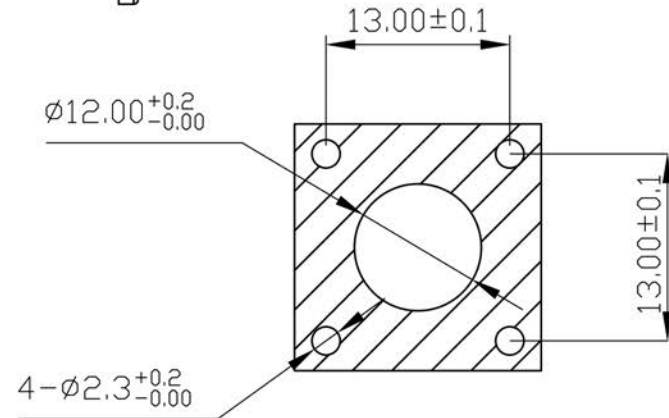
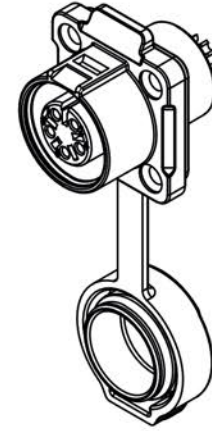
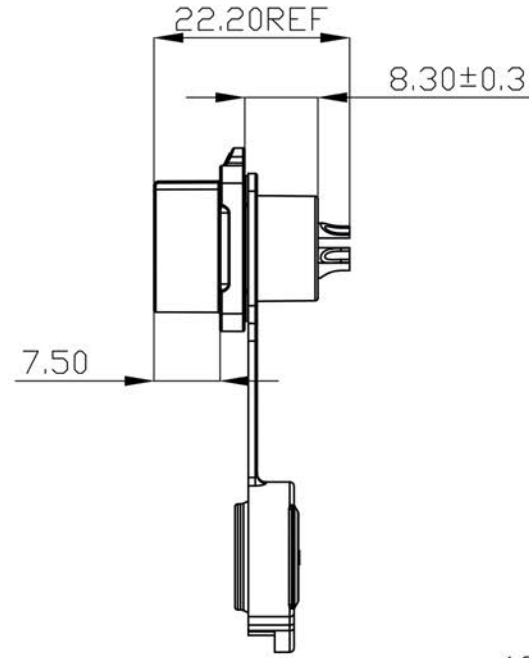
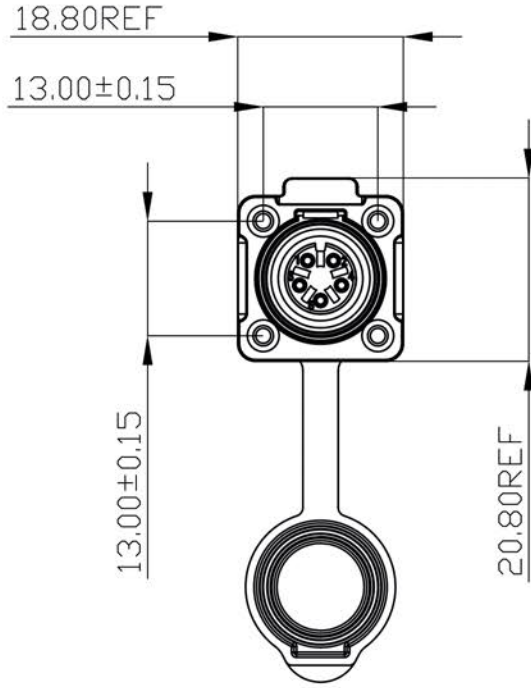



Unspecified tolerance

X. ±0.50	X. ° ±3°
X.X ±0.3	X.X° ±2°



Mounting Hole Dimensions

Date	16.04.2024	Rev.		Revision Detail	Rev.Dt.	Rev.by	Part No		
Designed by	Rabia MUZAÇ		-				M12 5PİN PANEL TİPİ DİŞİ PLUG		
Checked by	Ersin YÜKSEL								
							Drawing Nr.	Scale	Sheet No
							TT2-05F-PE	NONE	1/1

Form No: FR-01/004 İYT: 10/2003 Rev:06 09/01/2012

