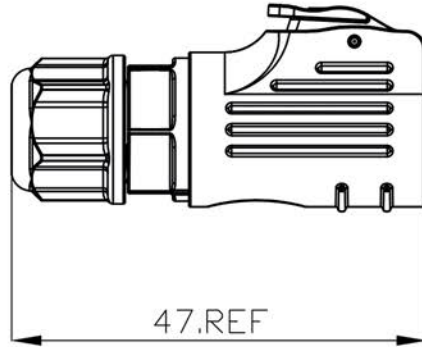
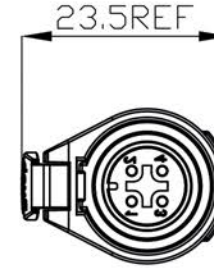
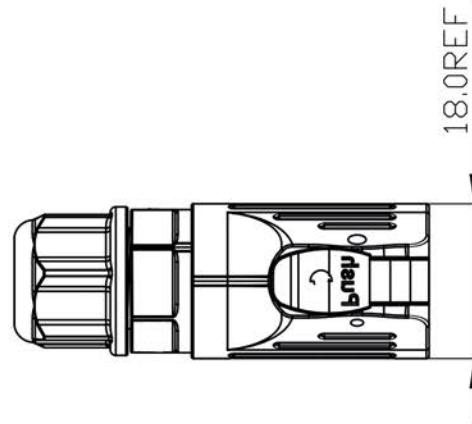
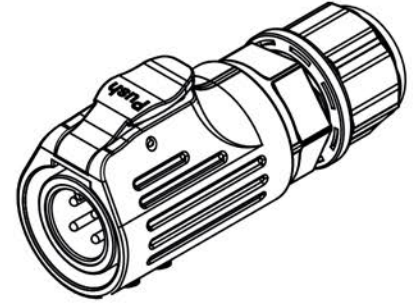


Unspecified tolerance

X. ± 0.50 X.° $\pm 3^\circ$
X.X ± 0.3 X.X° $\pm 2^\circ$



Technical parameters:

1. Housing material: PBT high performance engineering plastic
2. IP rating: IP67 (Selectable IP68 1m/2h)
3. Rated current: 5A
4. Rated voltage: AC 125V
5. Withstand voltage: AC 1500V
6. Fire rating: UL94 V-0
7. Wire section: 0.5mm²/20AWG
8. Operating temperature: -40~+85°C
9. Certifications: UL/TUV/RoHS/CE
10. Pluggable life: ≥ 1900 times
11. Number of poles: 4P

| Date | 16.04.2024 | Rev. | - | Revision Detail | | Rev.Dt. | | Rev.by | | Part No | M12 4PIN KABLO TIPI ERKEK SOKET | | |
|-------------|--------------|------|---|-----------------|--|---------|--|--------|--|-------------|------------------------------------|----------|--|
| Designed by | Rabia MUZAÇ | | | | | | | | | Drawing Nr. | Scale | Sheet No | |
| Checked by | Ersin YÜKSEL | | | | | | | | | TT12-04M-SX | NONE | 1/1 | |

