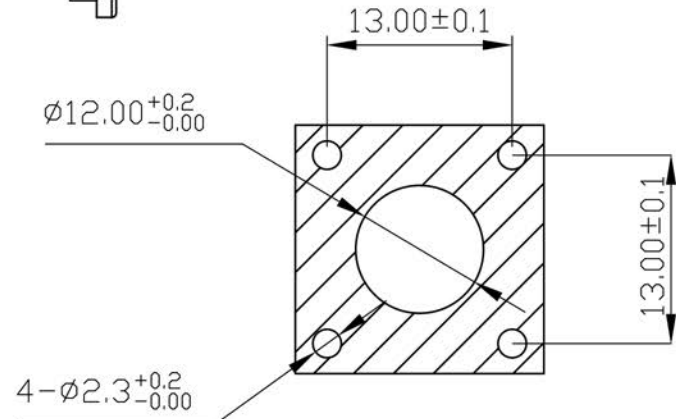
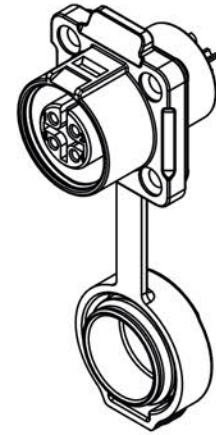
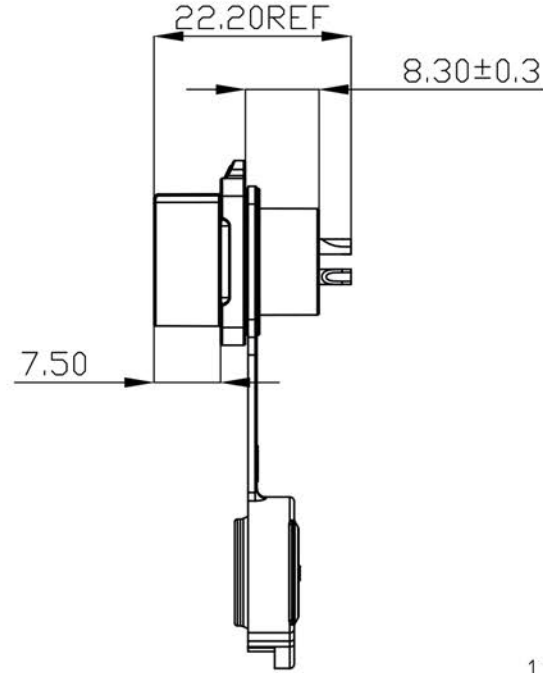
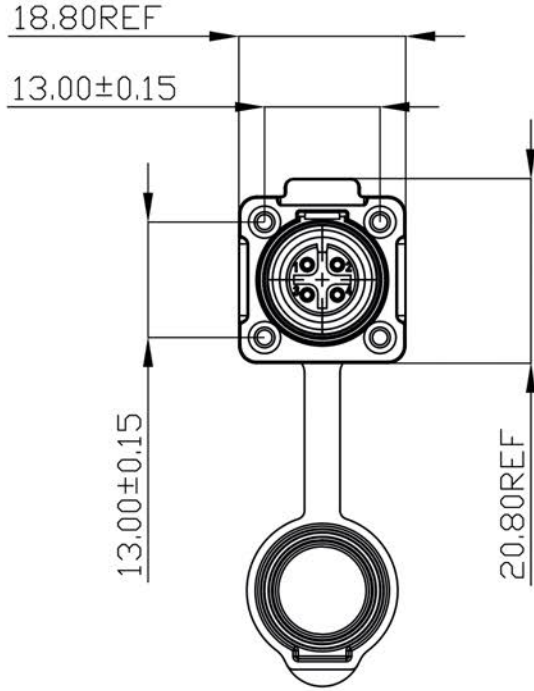


Unspecified tolerance

X.  $\pm 0.50$  X.°  $\pm 3^\circ$   
X.X  $\pm 0.3$  X.X°  $\pm 2^\circ$



Mounting Hole Dimensions

Date	16.04.2024	Rev.		Revision Detail		Rev.Dt.		Rev.by		Part No		
Designed by	Rabia MUZAÇ		-							M12 4PİN PANEL TİPİ DİŞİ PLUG		
Checked by	Ersin YÜKSEL										Drawing Nr.	Scale
										TT12-04F-PE	NONE	1/1