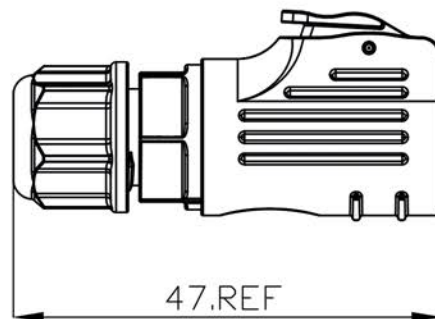
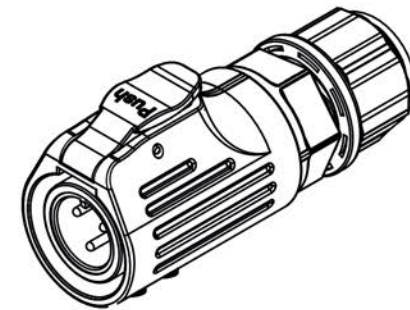
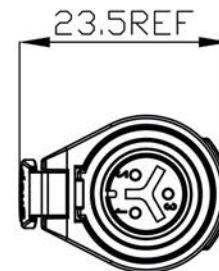
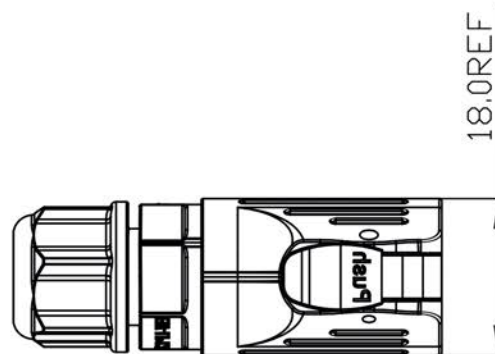


Unspecified tolerance

X.  $\pm 0.50$  X.°  $\pm 3^\circ$   
X.X  $\pm 0.3$  X.X°  $\pm 2^\circ$



### Technical parameters:

- 1、Housing material:PBT high performance engineering plastic
- 2、IP rating: IP67 (Selectable IP68 1m/2h)
- 3、Rated current: 5A
- 4、Rated voltage: AC 125V
- 5、Withstand voltage:AC 1500V
- 6、Fire rating:UL94 V-0
- 7、Wire section: 0.5mm<sup>2</sup>/20AWG
- 8、Operating temperature: -40~+85°C
- 9、Certifications: UL/TUV/RoHS/CE
- 10、Pluggable life:  $\geq 1900$  times
- 11、Number of poles:3P

Date	16.04.2024	Rev.	-	Revision Detail		Rev.Dt.		Rev.by <td></td> <th>Part No</th> <td></td>		Part No		
Designed by	Rabia MUZAÇ									M12 3PIN KABLO TİPİ ERKEK SOKET		
Checked by	Ersin YÜKSEL										Drawing Nr.	Scale
										TT12-03M-SX	NONE	1/1