

VIEW	TOLERANCE
	0-5 ±0.1
	6-10 ±0.25
	11-50 ±0.5
UNIT: mm	51-100 ±1
	101-250 ±2
	251-500 ±5
	501-1000 ±10
	1000-2000 ±20

1. Product Description

No.	Description Item	
1	Type D USB3.0 waterproof socket for digital TV and computer video signal transmission, plug and play.	✓
2	Waterproof rating IP67 when locked with waterproof plug.	✓
3	Shell made of reinforced nylon PA6BG33, ROHS certified.	✓
4	Suitable for industrial, automation, medical equipment installation.	✓

2. Technical Parameter

1. Material:

Shell: PA6BG33

Cover plate: zinc alloy, nickel/black plated

Chip contact: copper, gold plated

2. Temperature:

Range: -25°C - 65°C

3. Electrical Parameter:

Transmission performance: Duplex support 480mbps transmission

On-impedance: $\leq 5 \Omega$

Insulation impedance: $\geq 10M \Omega$

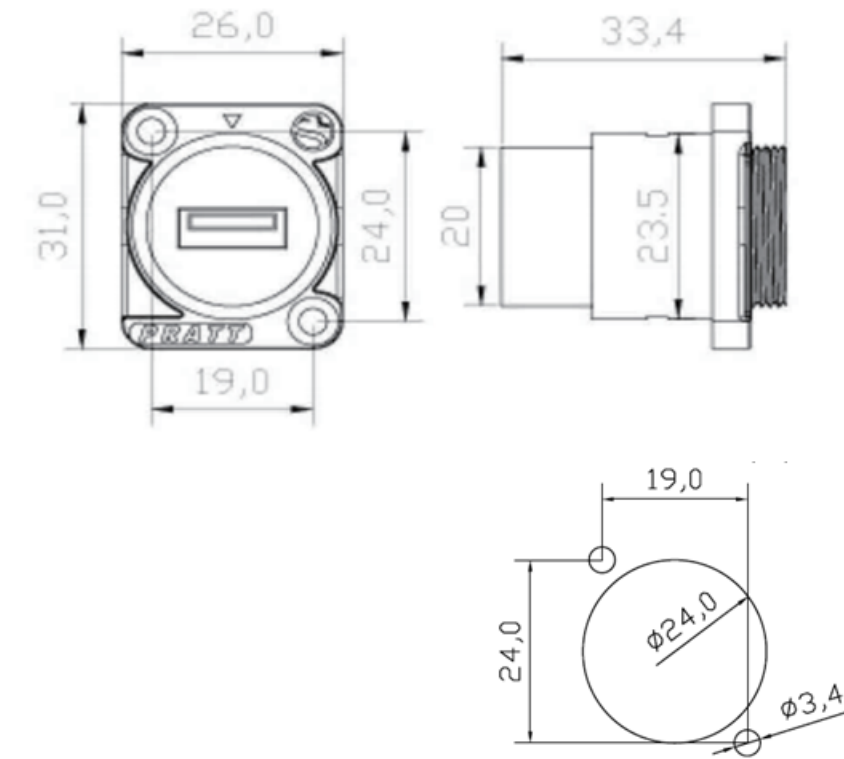
DC 300V/10ms

Power supply: 5V 1A

Product Picture



Product Size: MM



Date	26.06.2024	Rev.	Revision Detail	Rev.Dt.	Rev.by	Part No		
Designed by	Rabia MUZAÇ	-				WATERPROOF USB DATA CONNECTOR		
Checked by	Ersin YÜKSEL							
						Drawing Nr.	Scale	Sheet No
						TT-N-SUSB3.0-TLF-WP	NONE	1/1

A

B

C

D

A4