

VIEW	TOLERANCE
	0-5 ±0.1
	6-10 ±0.25
UNIT: mm	11-50 ±0.5
	51-100 ±1
	101-250 ±2
	251-500 ±5
	501-1000 ±10
	1000-2000 ±20

1. Product Description

No.	Description Item	
1	USB3.0 pass through converter	✓
2	Shell zinc alloy, nickel-plated/black optional; Contact gilding	✓
3	Installation without screw mounting hole, beautiful and convenient	✓
4	Plug and play, signal stability.	✓
5	Passed CE, Rohs certification	✓

2. Technical Parameter

1. Material:

Shell: Zinc die casting

Cover Plate: Nickel-plated/black optional

Chip contact: copper, gold plated

2. Temperature:

Range: -25°C - 70°C

3. Electrical Parameter:

Transmission performance: Support 5Gbps transmission on both sides

On-impedance: $\leq 5 \Omega$

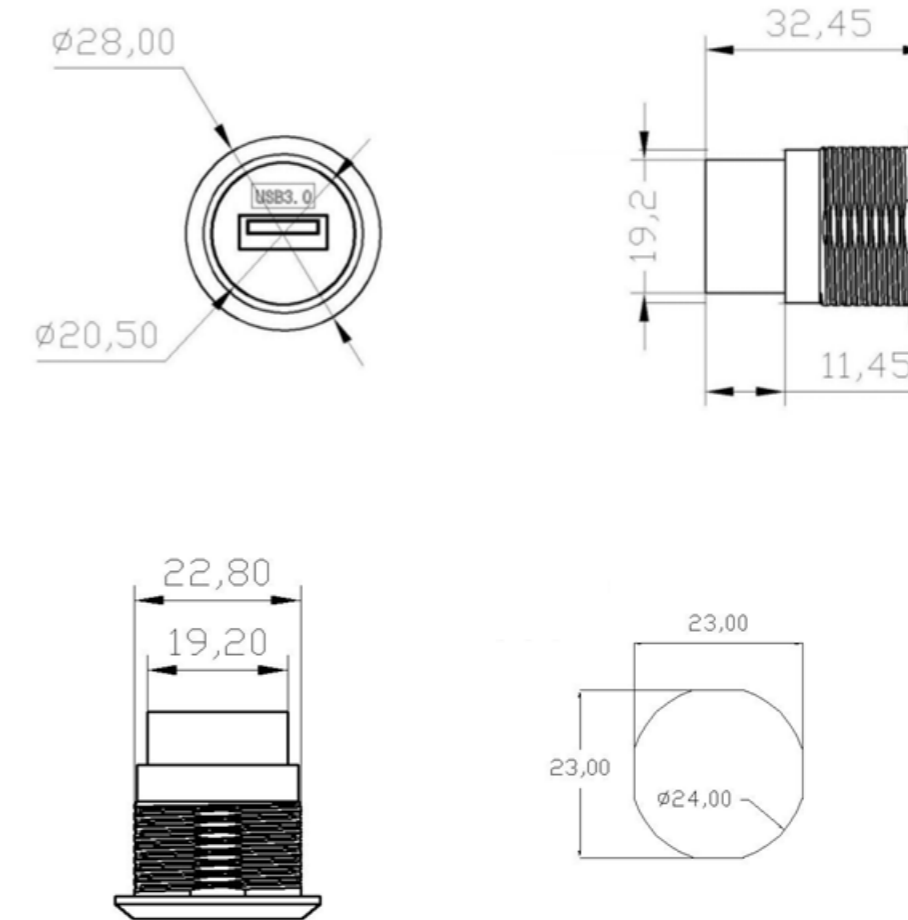
Insulation impedance: $\geq 10M \Omega$

DC 300V/10ms

Product Picture



Product Size: MM



Date	26.06.2024	Rev.	Revision Detail	Rev.Dt.	Rev.by	Part No		
Designed by	Rabia MUZAÇ	-				USB DATA CONNECTOR		
Checked by	Ersin YÜKSEL							
						Drawing Nr.	Scale	Sheet No
						TT-N-SUSB3.0-JW	NONE	1/1