

VIEW	TOLERANCE	
	0-5	±0.1
	6-10	±0.25
	11-50	±0.5
	51-100	±1
UNIT: mm	101-250	±2
	251-500	±5
	501-1000	±10
	1000-2000	±20

### 1. Product Description

No.	Description Item	
1	Zinc alloy material, black plated shell, internal plastic mold sleeve.	✓
2	Dual core USB3.0 pass through converter.	✓
3	Independent dual USB core, higher security	✓
4	Passed CE, Rohs certification.	✓

### 2. Technical Parameter

#### 1. Material:

Shell : Zinc die-cast, No. 1 zinc  
 Plastic: PA6, BG33C-NC  
 Coating: black plating, thickness 0.6u  
 Contact: Copper, gold plated 1U

#### 2. Temperature:

Range: -20°C - 70°C

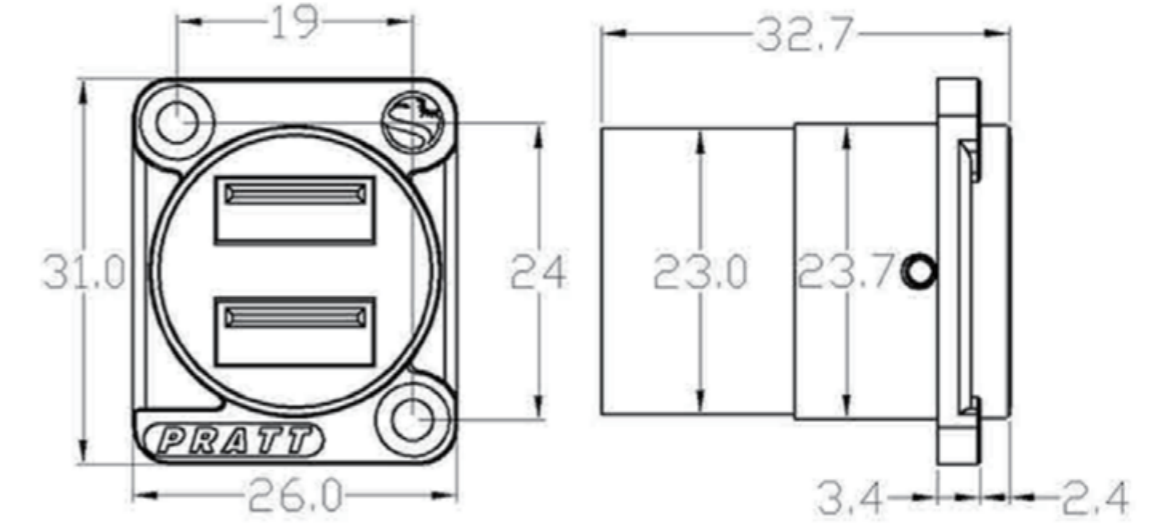
#### 3. Electrical Parameter:

Comply with USB3.0 standard

### Product Picture



### Product Size: MM



Date	26.06.2024	Rev.	Revision Detail	Rev.Dt.	Rev.by	Part No		
Designed by	Rabia MUZAÇ	-				USB DATA CONNECTOR		
Checked by	Ersin YÜKSEL							
						Drawing Nr.	Scale	Sheet No
						TT-N-SUSB3.0-2W	NONE	1/1

A

B

C

D

A4