

VIEW	TOLERANCE
	0-5 ±0.1
	6-10 ±0.25
	11-50 ±0.5
UNIT: mm	51-100 ±1
	101-250 ±2
	251-500 ±5
	501-1000 ±10
	1000-2000 ±20

### Product Picture



### 1. Product Description

No.	Description Item	
1	USB3.0 pass through converter	✓
2	Shell aluminum alloy	✓
3	The rear end copper nut is fixed, beautiful and convenient	✓
4	Plug and play, signal stability	✓
5	Internal epoxy resin dispensing fixed, IP67 waterproof rating	✓

### 2. Technical Parameter

#### 1. Material:

Shell: Aluminum alloy  
 Coating: oxidized silver  
 Waterproof cover: nylon + silicone  
 Gasket: stainless steel  
 Contact: copper, gold plated

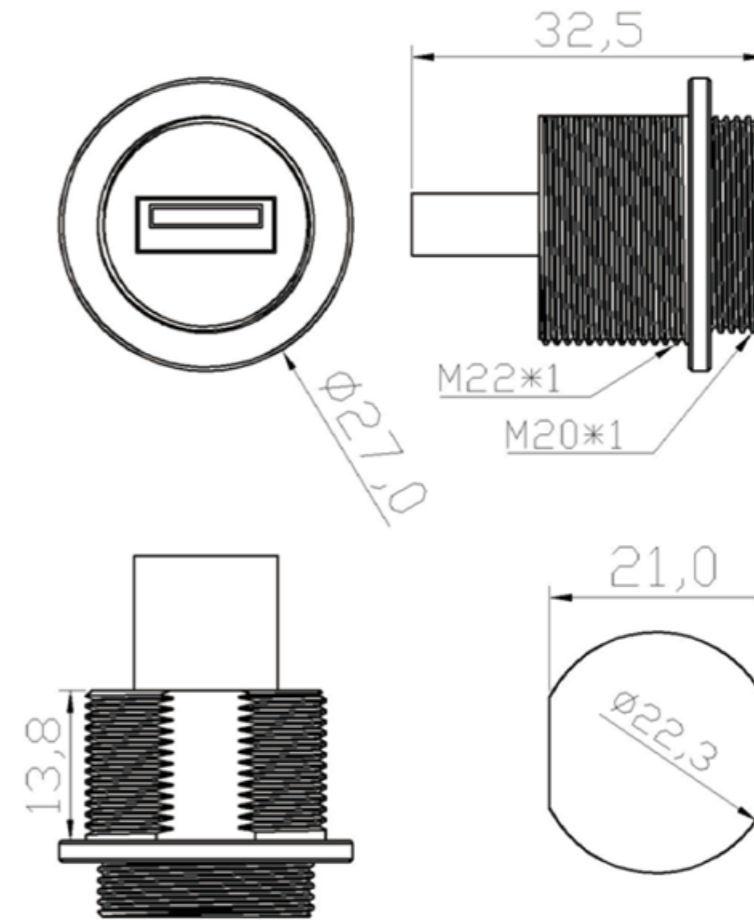
#### 2. Temperature:

Range: -25°C - 65°C

#### 3. Electrical Parameter:

Transmission performance: Support 5Gbps transmission on both sides  
 On-impedance:  $\leq 5 \Omega$   
 Insulation impedance:  $\geq 10M \Omega$   
 DC 300V/10ms  
 Service life  $\leq 750$  times

### Product Size: MM



Date	26.06.2024	Rev.	Revision Detail	Rev.Dt.	Rev.by	Part No		
Designed by	Rabia MUZAÇ	-				WATERPROOF USB DATA CONNECTOR		
Checked by	Ersin YÜKSEL							
						Drawing Nr.	Scale	Sheet No
						TT-N- SUSB3 0-22-WP-W	NONE	1/1

A

B

C

D

A4