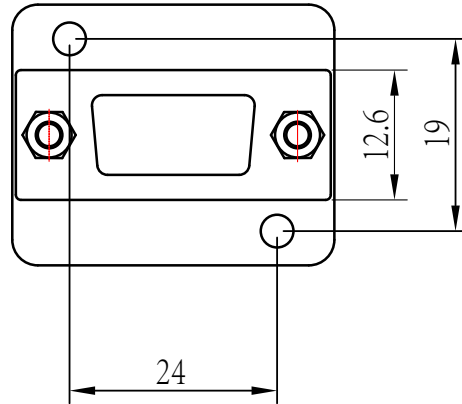
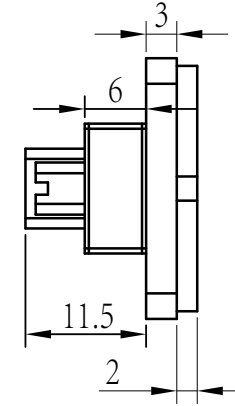
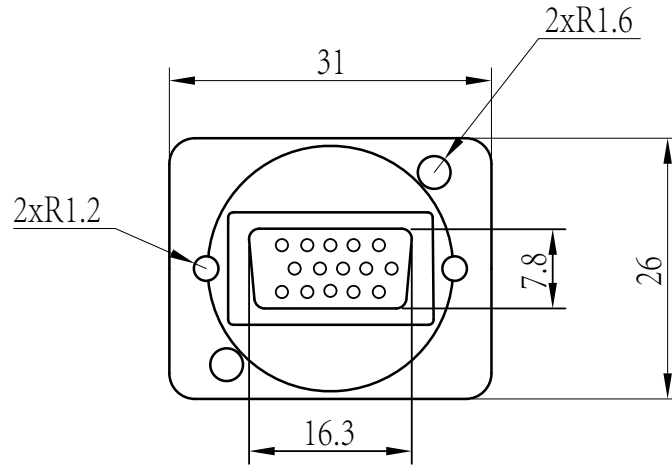


VIEW	TOLERANCE	
	0-5	±0.1
	6-10	±0.25
	11-50	±0.5
UNIT:mm	51-100	±1
	101-250	±2
	251-500	±5
	501-1000	±10
	1000-2000	±20



Date	16.04.2024	Rev.	-	Revision Detail		Rev.Dt.		Rev.by		Part No	VGA 15 PIN FEMALE TO FEMALE
Designed by	Rabia MUZAÇ	Checked by	Ersin YÜKSEL							Drawing Nr.	TT-N-PVGA15FF-2
										Scale	NONE
										Sheet No	1/1

