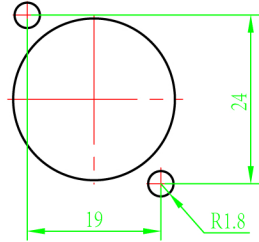
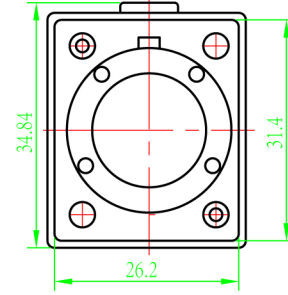
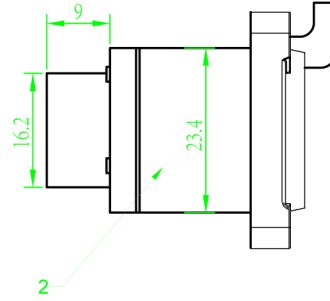
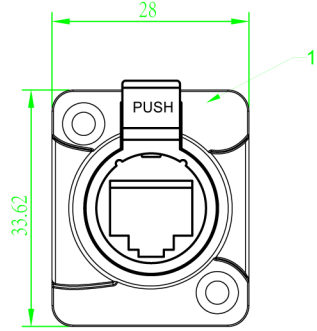


VIEW	TOLERANCE	
	0-5	±0.1
	6-10	±0.25
	11-50	±0.5
UNIT: mm	51-100	±1
	101-250	±2
	251-500	±5
	501-1000	±10
	1000-2000	±20



Date	16.04.2024	Rev.		Revision Detail		Rev.Dt.		Rev.by		Part No		
Designed by	Rabia MUZAÇ		-							RJ45 FEMALE TO FEMALE		
Checked by	Ersin YÜKSEL											
										Drawing Nr.	Scale	Sheet No
										TT-N-PE8MC-A	NONE	1/1