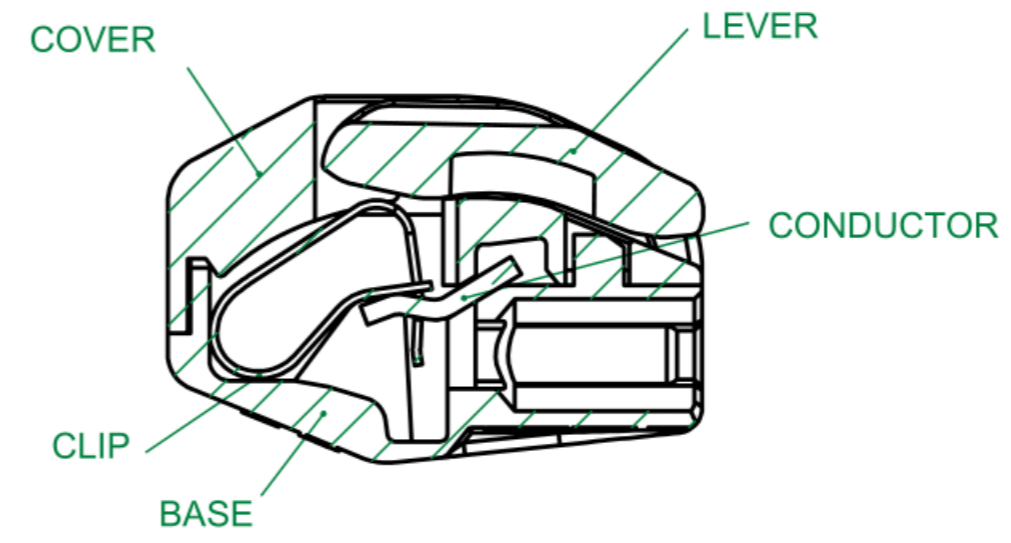
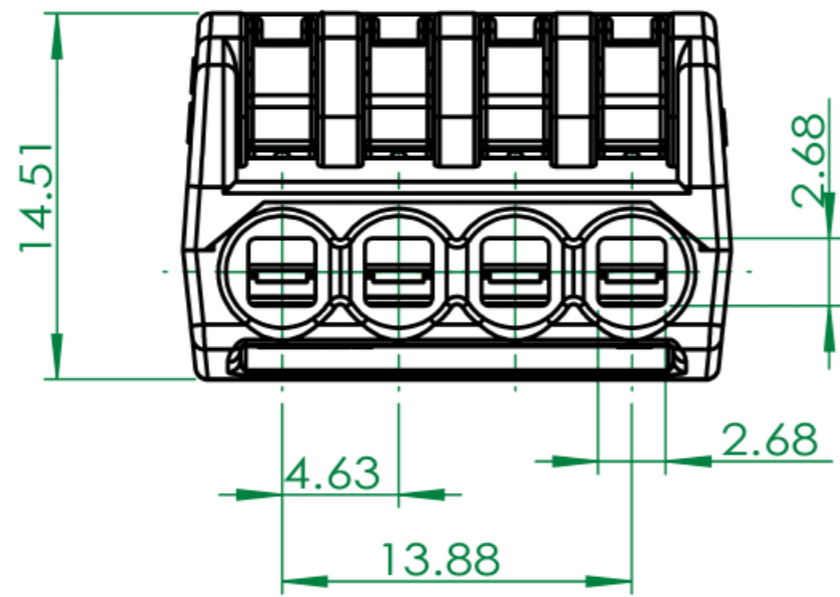


1 2 3 4 5 6

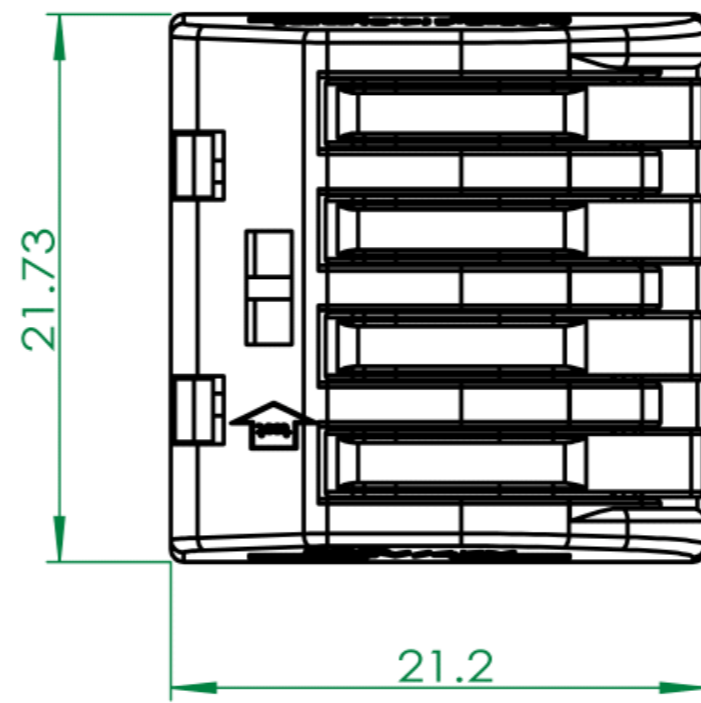
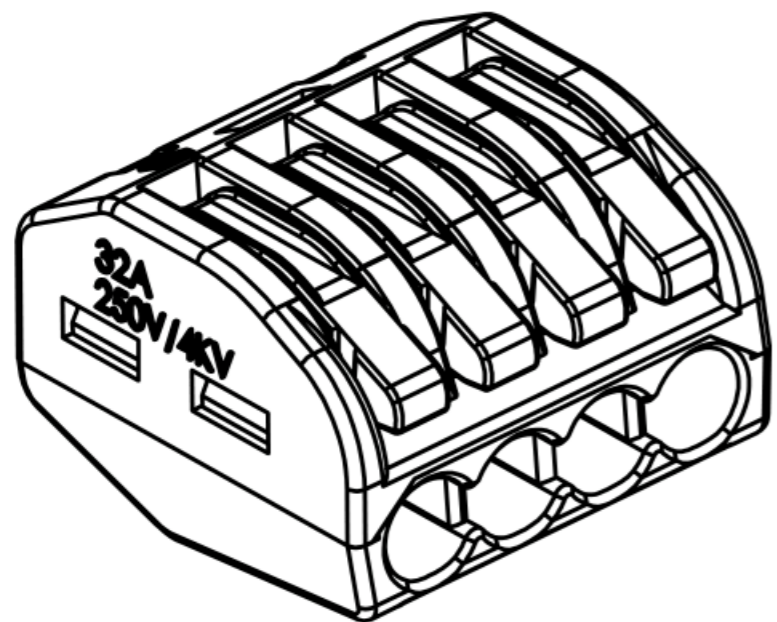
A

A



B

B



### SPECIFICATIGNS

- (Applicable wires) :
  - Solid wire 0.5-4mm<sup>2</sup>
  - Fine wire 0.5-2.5mm<sup>2</sup>
- (Temperature range) : -40°C+105°C
- (Voltage rating) : 400V
- (Current rating) : 32A
- (Contact resistance ) ≤0. 015 Ω
- ( Insulation resistance ) : ≥1000MΩ
- ( Material) :
  - ( Plastic parts ) : PA6
  - (LEVER):POM
  - (Conductor material) : ( copper)
  - (Clip) : 301(Stainless steel 301)

C

C

D

D

Date	-	Rev.	Revision Detail	Rev.Dt.	Rev.by	Part No		
Designed by	Rabia MUZAÇ	-				4 Pin One Way Screwless Terminal Block		
Checked by	Ersin YÜKSEL							
						Drawing Nr.	Scale	Sheet No
						KLM-49	NONE	1/1

1 2 3 4 5 6

A4