

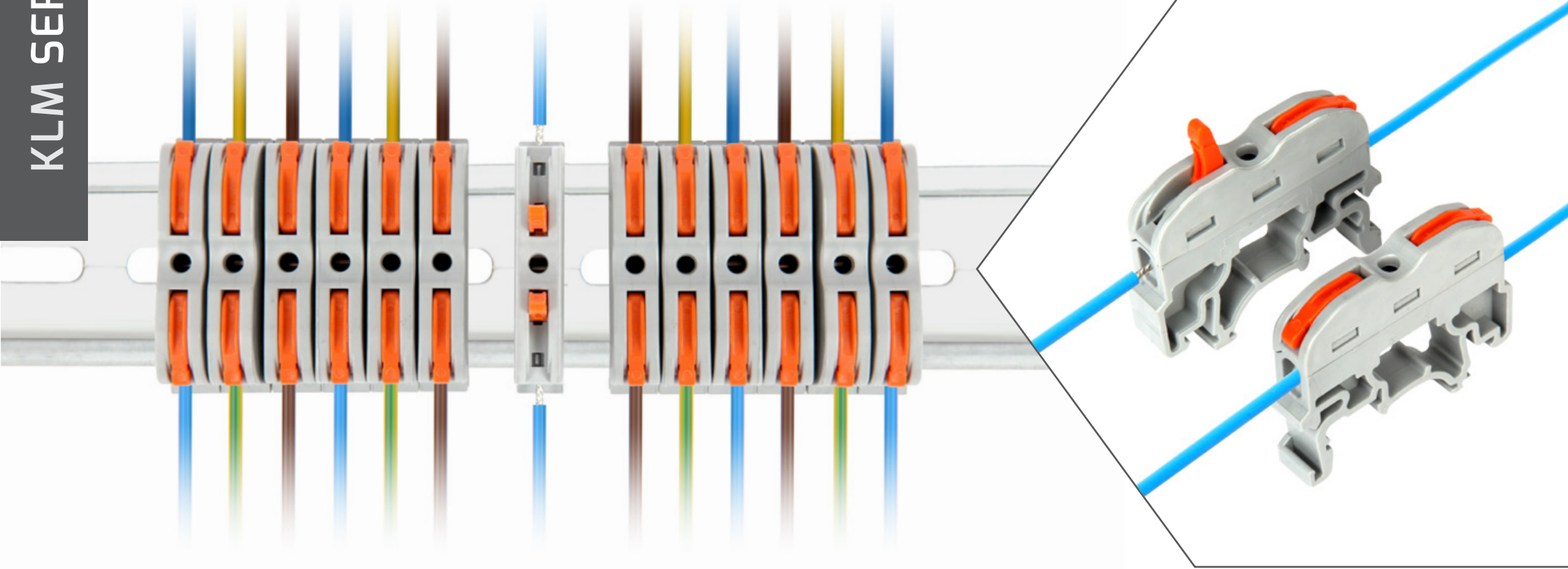
KLM-29-G 1PIN

TTAF®

KLM SERIES

KLM-29-G 1PIN

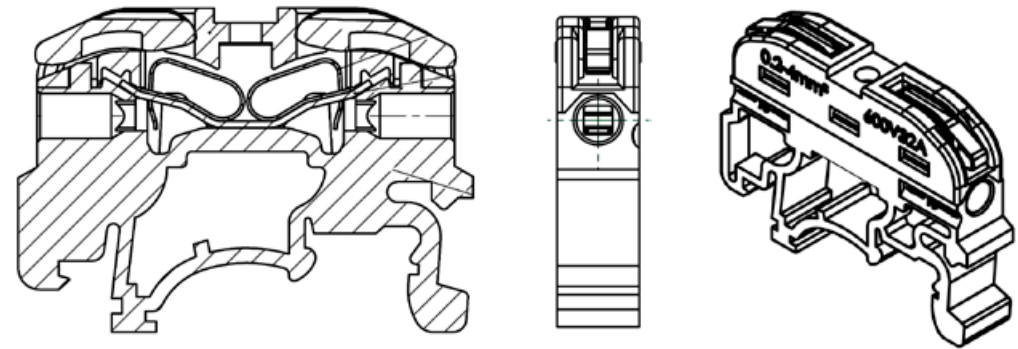
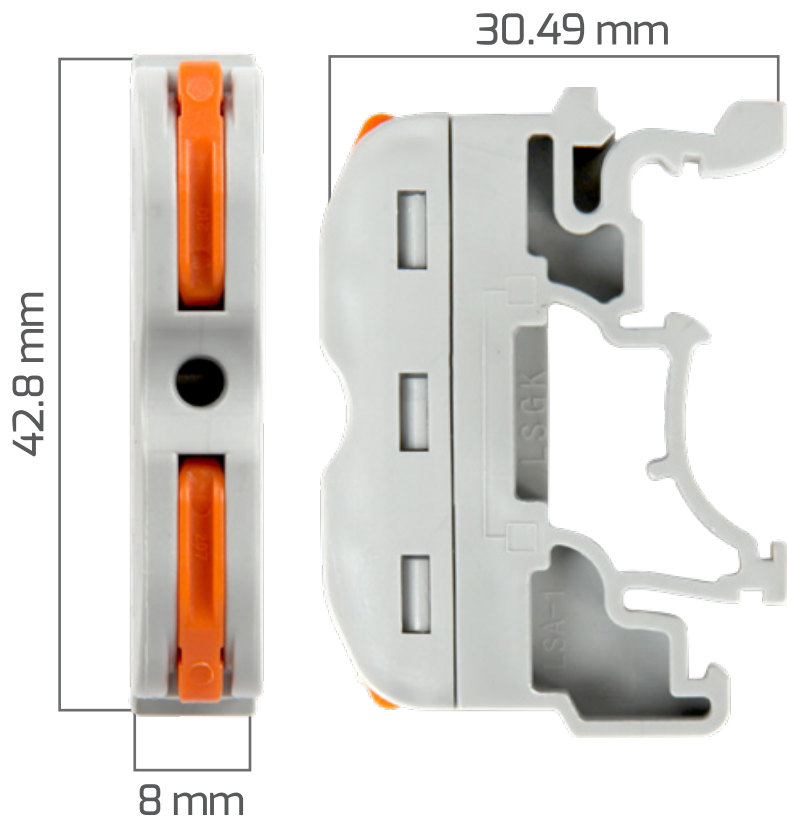
Easy and Fast Use



250 V - 600 V

32 A

Voltage rating	250 V / 600 V
Rated current	32 A
Applicable wires	28 - 12 AWG
Temperature range	25
Contact resistance	$\leq 0.015 \Omega$
Isulation resistance	$\geq 1000m \Omega$
L/W/H	42.8 x 8 x 30.49
The number of poles	1
Material :	
Nylon	UL 94V 2 (0)
Brass	Tin/plated



Kavaklı Mahallesi, İstanbul Caddesi, No:21
Beylikdüzü - İstanbul / TURKEY
Phone : +90 212 855 82 20 pbx
Fax : +90 212 855 82 21

ttaf.com.tr
info@ttaf.com.tr



ttafelectronic