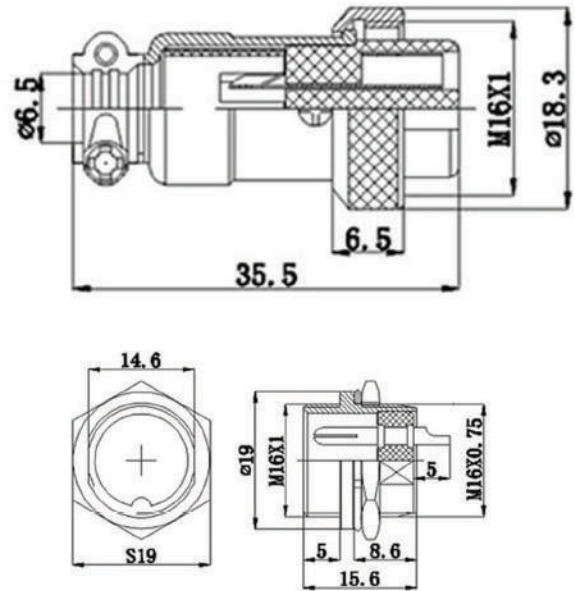


GX16 Connector

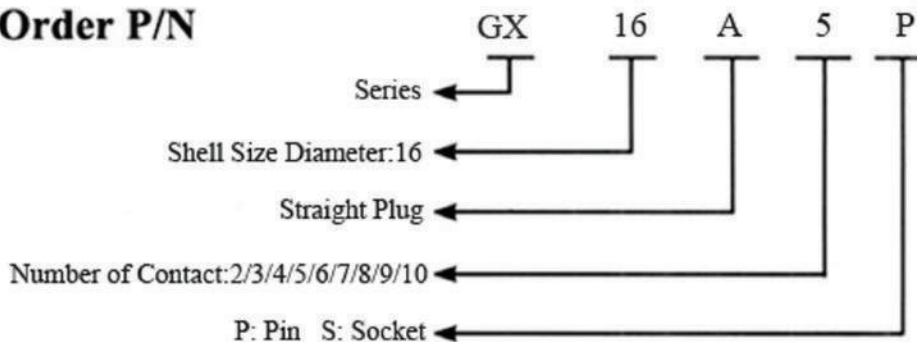


Material and Specifications

Coupling	Threaded Coupling	Termination	Solder
Shell Material	Zinc Alloy with Nickel plated	Mating Cycle	500 Times
Insert Material	Bakelite	Temperature Range	-20°C ~ +85°C
Contact Material	Copper (Silver plated/Gold)	Cable Diameter	$\phi 7.5\text{mm} - \leq \phi 8.5\text{mm}$
		Protection Degree	IP55

Core Number	2 Core	3 Core	4 Core	5 Core	6 Core	7 Core	8 Core
Contact Arrangement							
Contact The Diameter, Number	$\phi 2.5 \times 2$	$\phi 2.5 \times 3$	$\phi 2.5 \times 4$	$\phi 2.5 \times 5$	$\phi 2.5 \times 6$	$\phi 2.5 \times 7$	$\phi 2.5 \times 8$
Rated Current(A)	7	7	5	5	4	4	4
Working Voltage (AC,V,RMS)	250	250	250	250	250	250	250

Order P/N



Note:

- A: Straight Plug
- B: Panel Mount Socket
- K: Docking Cable Plug
- D: Angled Plug
- E: 3 Hole Circular Flange
- F: Bulkhead
- H: 4 Hole Square Flange