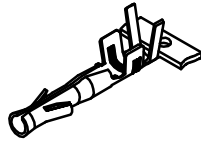
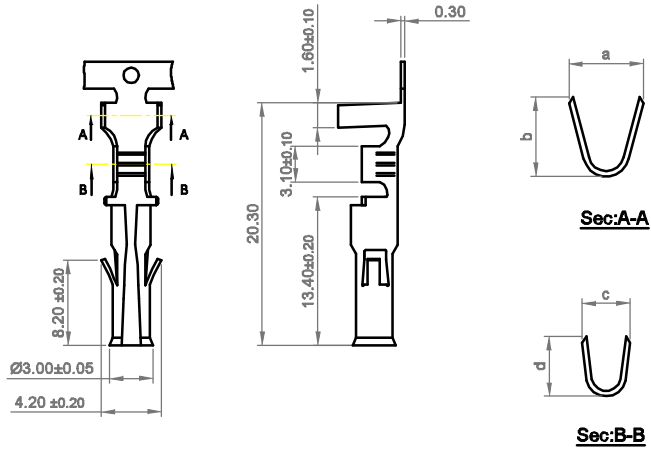


VIEW	TOLERANCE	
	0-10	±1
	11-250	±5
	251-500	±10
	501-1000	±20
	1001-3000	±50
UNIT: mm	3001-5000	±100
	5001->	±150



▲ Order Code : 9500-FT

**TTAF
APPROVAL**



TYPE	Wire Range	Wire Range				Insulation O.D.	Material	Finish	Qty/reel
		a	b	c	d				
L	AWG#12..#14	6.40	5.70	2.90	3.50	5.10 mm (max)	Brass	Tin-Plated	2.500 pcs
M	AWG#16..#20	4.50	4.40	2.90	3.50	3.30 mm (max)	Brass	Tin-Plated	3.500 pcs
S	AWG#18..#22	3.40	3.40	2.40	2.40	2.50 mm (max)	Brass	Tin-Plated	3.500 pcs

Date	03.11.2014	Rev.		Revision Detail	Rev.Dt.	Rev.by	Part No		
Designed by	Yegim AKSOY	-					9500-FT		
Checked by	Fatih BOLACA								
							Drawing Nr.	Scale	Sheet No
							-	NONE	1/1