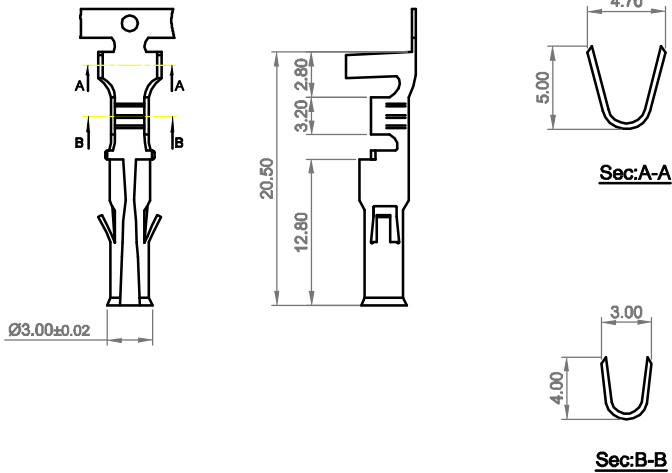
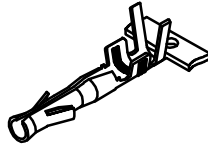


VIEW	TOLERANCE	
	0-10	±1
	11-250	±5
UNIT: mm	251-500	±10
	501-1000	±20
	1001-3000	±50
	3001-5000	±100
	5001->	±150

Δ Order Code : 9200-FT

**TTAF
APPROVAL**



Wire Range	Insulation O.D.	Material	Finish	Qty/reel
AWG#14..#20	3.90 mm (max)	Brass	Tin-Plated	3.500 pcs
AWG#20..#24	2.7 mm (max)	Brass	Tin-Plated	5.000 pcs

Date	03.11.2014	Rev.	-	Revision Detail		Rev.Dt.		Rev.by		Part No	9200-FT				
Designed by	Yeşim AKSOY														
Checked by	Fatih BOLACA														
										Drawing Nr.	-	Scale	NONE	Sheet No	1/1