

VIEW	TOLERANCE	
	0-10	±1
	11-250	±5
UNIT: mm	251-500	±10
	501-1000	±20
	1001-3000	±50
	3001-5000	±100
	5001->	±150

△ Order Code : 5558-XX-W

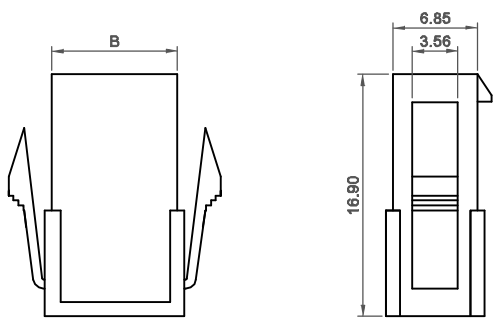
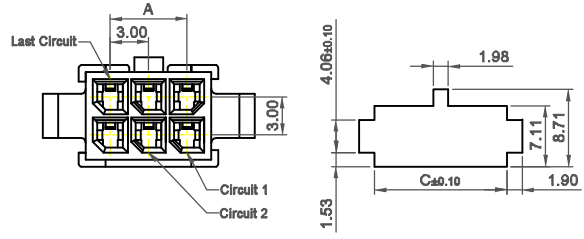
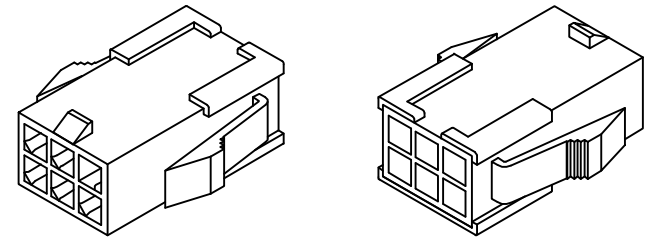
Wafer

Number of contact : 2 to 24 pin

**TTAF  
APPROVAL**

△ Material : UL94V-0

Voltage Rating : 600V AC  
 Current Rating : 9A  
 Withstanding Voltage : 1500V AC/minute  
 Insulation Resistance : 1000M Ω Min  
 Temperature Range : -25 °C ~ + 105 °C  
 Contact Resistance : <10m Ω



Contact No.	Dimensions(mm)		
	A	B	C
2	-	3.90	4.09
4	3.00	6.90	7.09
6	6.00	9.90	10.08
8	9.00	12.90	13.08
10	12.00	15.90	16.06
12	15.00	18.90	19.08
14	18.00	21.90	22.07
16	21.00	24.90	25.07
18	24.00	27.90	26.07
20	27.00	30.90	31.06
22	30.00	33.90	34.06
24	33.00	36.90	37.06

Date	03.11.2014	Rev.	Revision Detail	Rev.Dt.	Rev.by	Part No		
Designed by	Yegim AKSOY	-				<b>5558-XX-W</b>		
Checked by	Fatih BOLACA							
						Drawing Nr.	Scale	Sheet No
						-	NONE	1/1