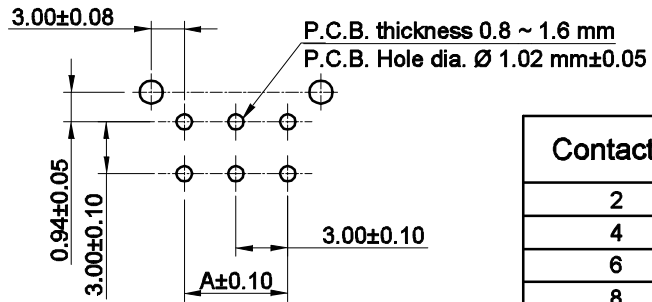
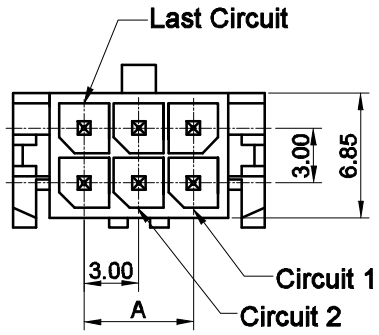
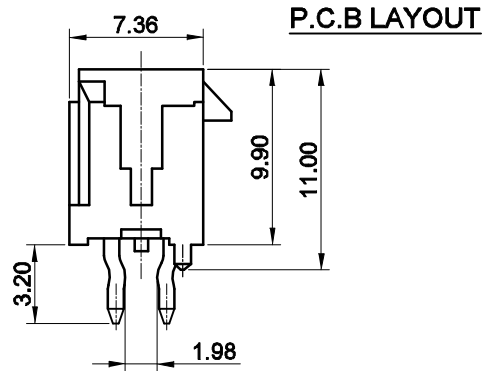
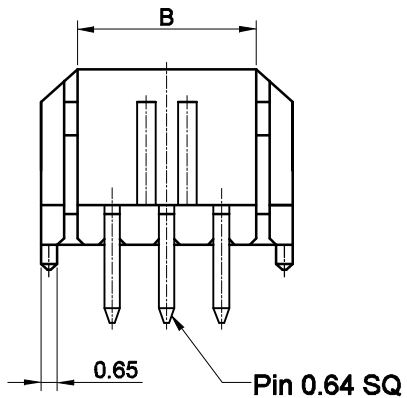


VIEW	TOLERANCE	
	0-10	±1
	11-260	±5
	261-500	±10
	501-1000	±20
	1001-3000	±50
	3001-5000	±100
	5001->	±160

UNIT: mm



Contact No.	Dimensions	
	A	B
2	—	6.70
4	3.00	9.70
6	6.00	12.70
8	9.00	15.70
10	12.00	18.70
12	15.00	21.70
14	18.00	24.70
16	21.00	27.70
18	24.00	30.70
20	27.00	33.70
22	30.00	36.70
24	33.00	39.70



Rated Voltage : 250V AC,DC  
 Rated Current : 2A.  
 Withstand Voltage : 1000V AC/minute  
 Insulation Resistance : 1.000M ohm/minute  
 Temperature Range : -25 °C ~ + 85 °C  
 Contact Resistance : 20m ohm/max.

\* Order Code : 5558 - XX - S

\* Material Pin.... Brass/Tin plated  
 Nylon 66, UL94V-0

Number of contact : 2 to 12 pin

Date	03.11.2014	Rev.	-	Revision Detail		Rev.Dt.		Rev.by		Part No	<b>5558-XX-S</b>	
Designed by	Yeşim AKSOY									Drawing Nr.		-
Checked by	Fatih BOLACA									Scale		NONE
										Sheet No	1/1	