

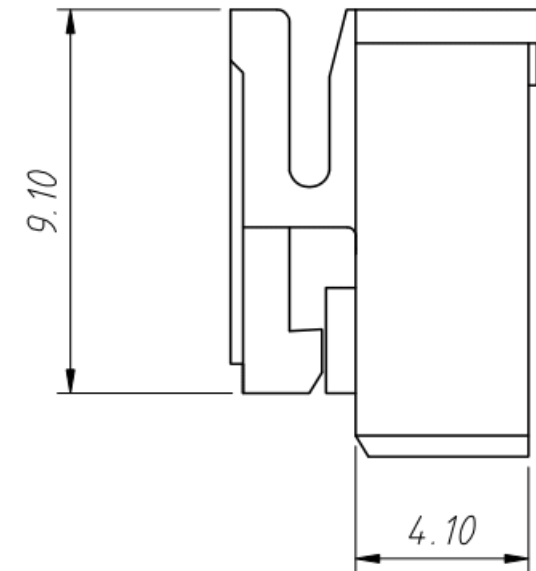
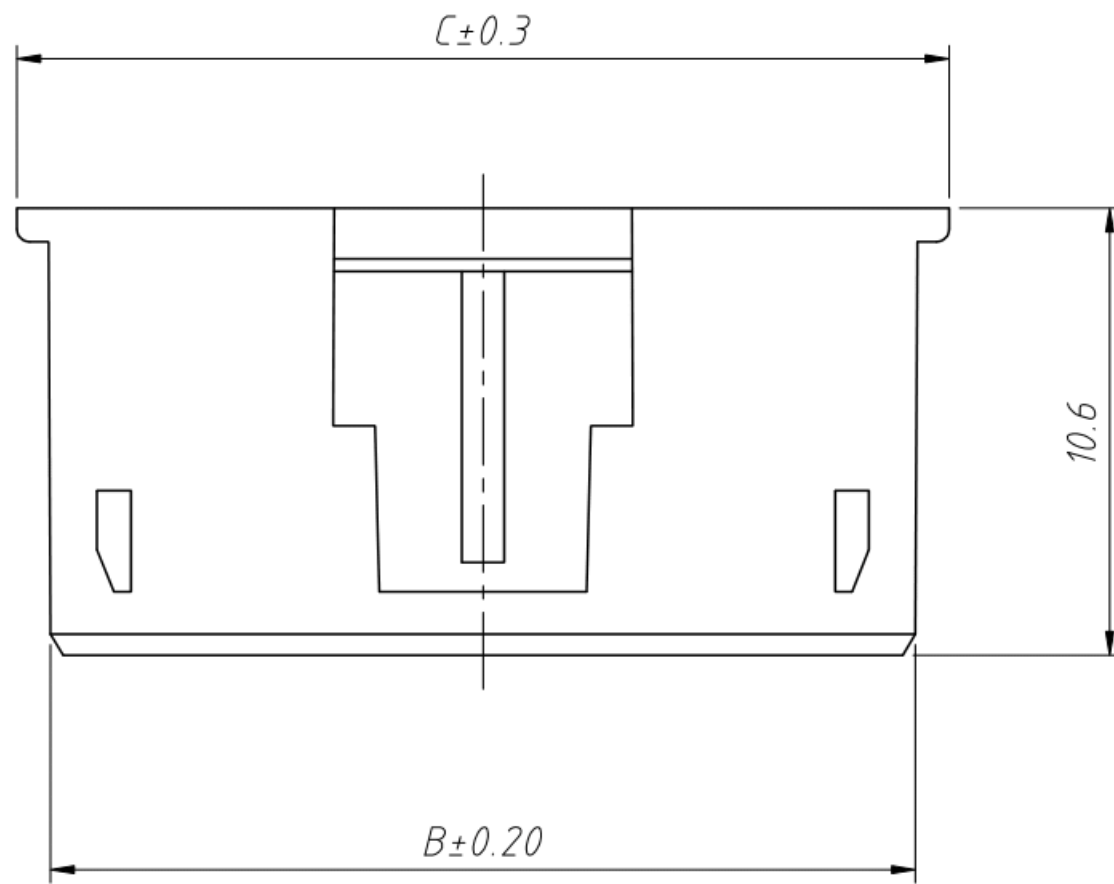
▲ Order Code : **2317-XXH-FL**

Housing
Number of contact : 2 to 15 pin

**TTAF
APPROVAL**

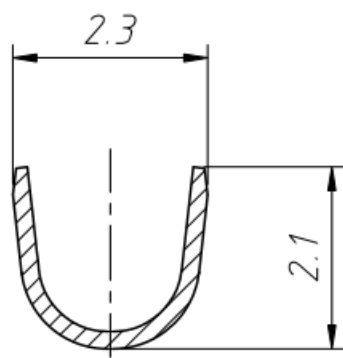
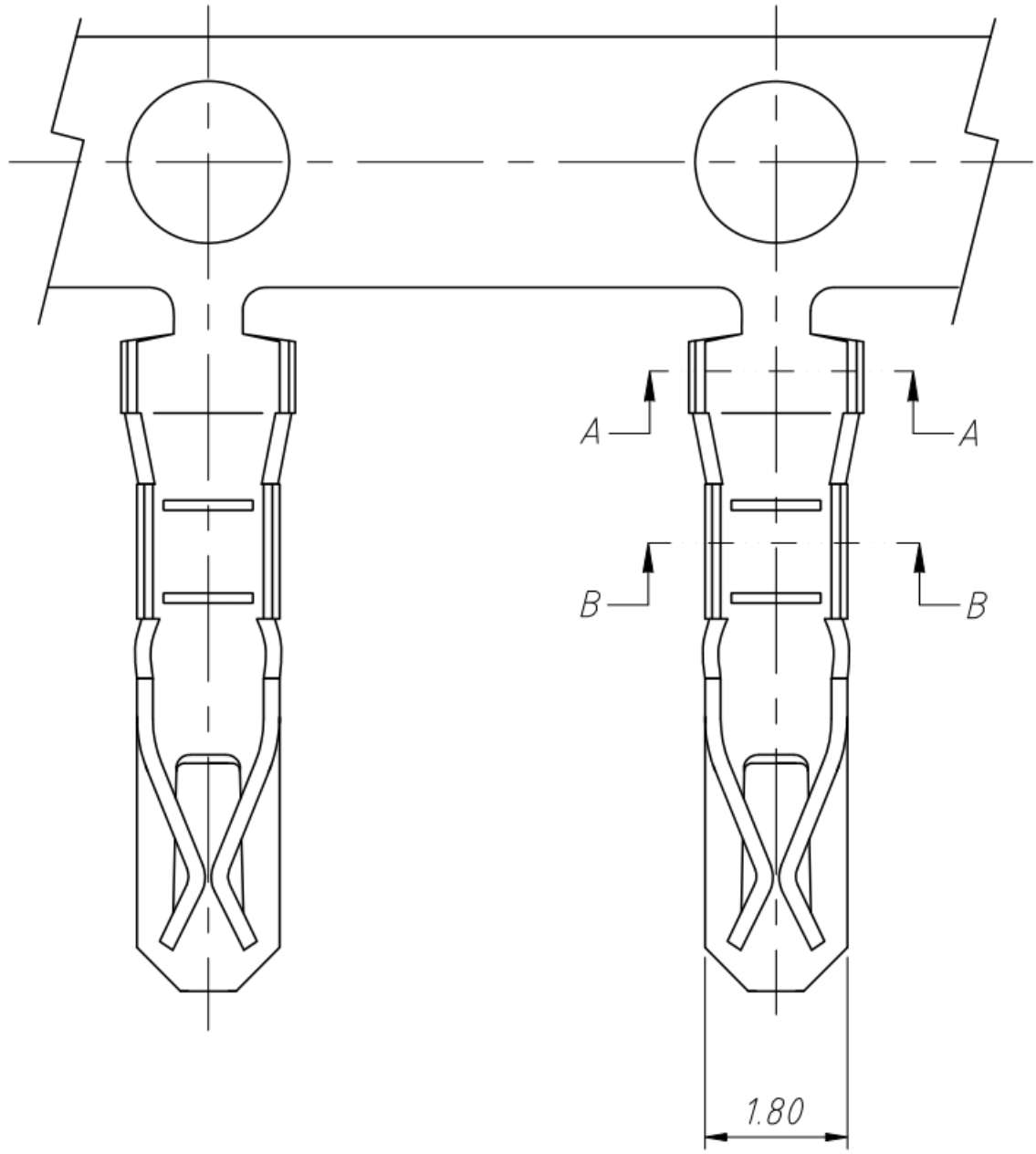
Material:
Housing:PA66,UL 94V-2

Electrical Characteristics:
Rated Current:3.0AMP
Voltage rating:250V AC,DC
Temperature range:-25°C ~ + 85°C
Insulator Resistance:1000M Ω Min
Withstanding Voltage:1000V AC/minute
Contact Resistance:30m Ω Max

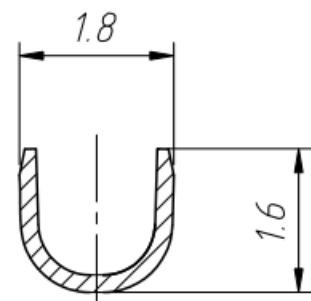


Pin	Dimensions(mm)		
	A	B	C
02	2.50	5.60	7.10
03	5.00	8.10	9.60
04	7.50	10.60	12.10
05	10.00	13.10	14.60
06	12.50	15.60	17.10
07	15.00	18.10	19.60
08	17.50	20.60	22.10
09	20.00	23.10	24.60
10	22.50	25.60	27.10
11	25.00	28.10	29.60
12	27.50	30.60	32.10
13	30.00	33.10	34.60
14	32.50	35.60	37.10
15	35.00	38.10	39.60

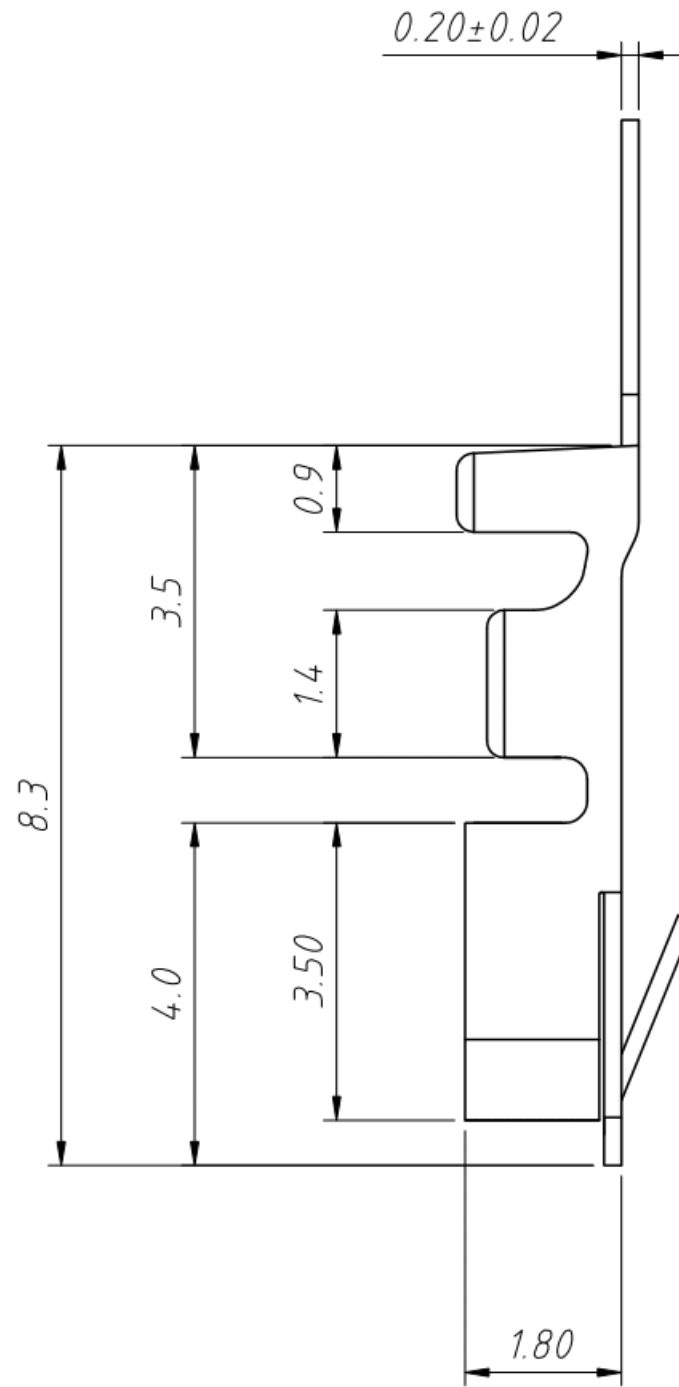
Date	-	Rev.	Revision Detail	Rev.Dt.	Rev.by	Part No		
Designed by	Rabia MUZAÇ	-				2317-XXH-FL		
Checked by	Ersin YÜKSEL							
						Drawing Nr.	Scale	Sheet No
						-	NONE	1/1



A-A



B-B




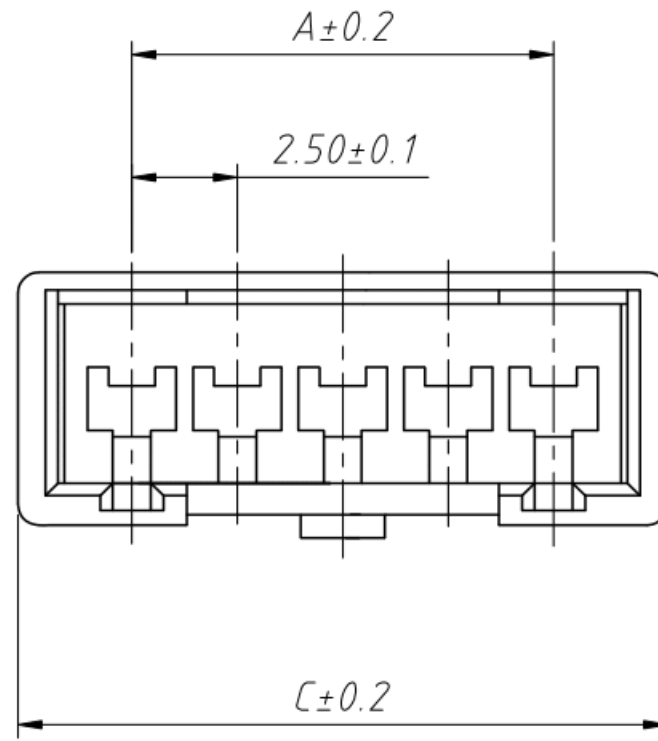
▲ Order Code : 2317-TF-L

**TTAF
APPROVAL**

Material:
Terminal: Phosphor Bronze
Plating: Tin plated
Applicable wires: AWG #22 ~ # 28
Insulation O.D: 1.6mm

Electrical Characteristics:
Rated Current: 3.0AMP
Voltage rating: 250V AC, DC
Temperature range: -25°C ~ + 85°C
Insulator Resistance: 1000MΩ Min
Withstanding Voltage: 1000V AC/minute
Contact Resistance: 30mΩ Max

Date	-	Rev.	Revision Detail	Rev.Dt.	Rev.by	Part No		
Designed by	Rabia MUZAÇ	-				2317-TF-L		
Checked by	Ersin YÜKSEL							
						Drawing Nr.	Scale	Sheet No
						-	NONE	1/1



▲ Order Code : **2317-XXH-ML**

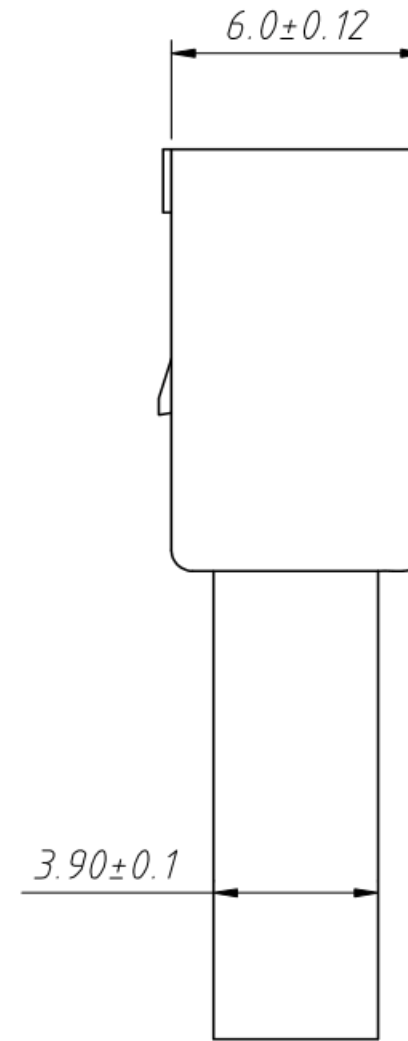
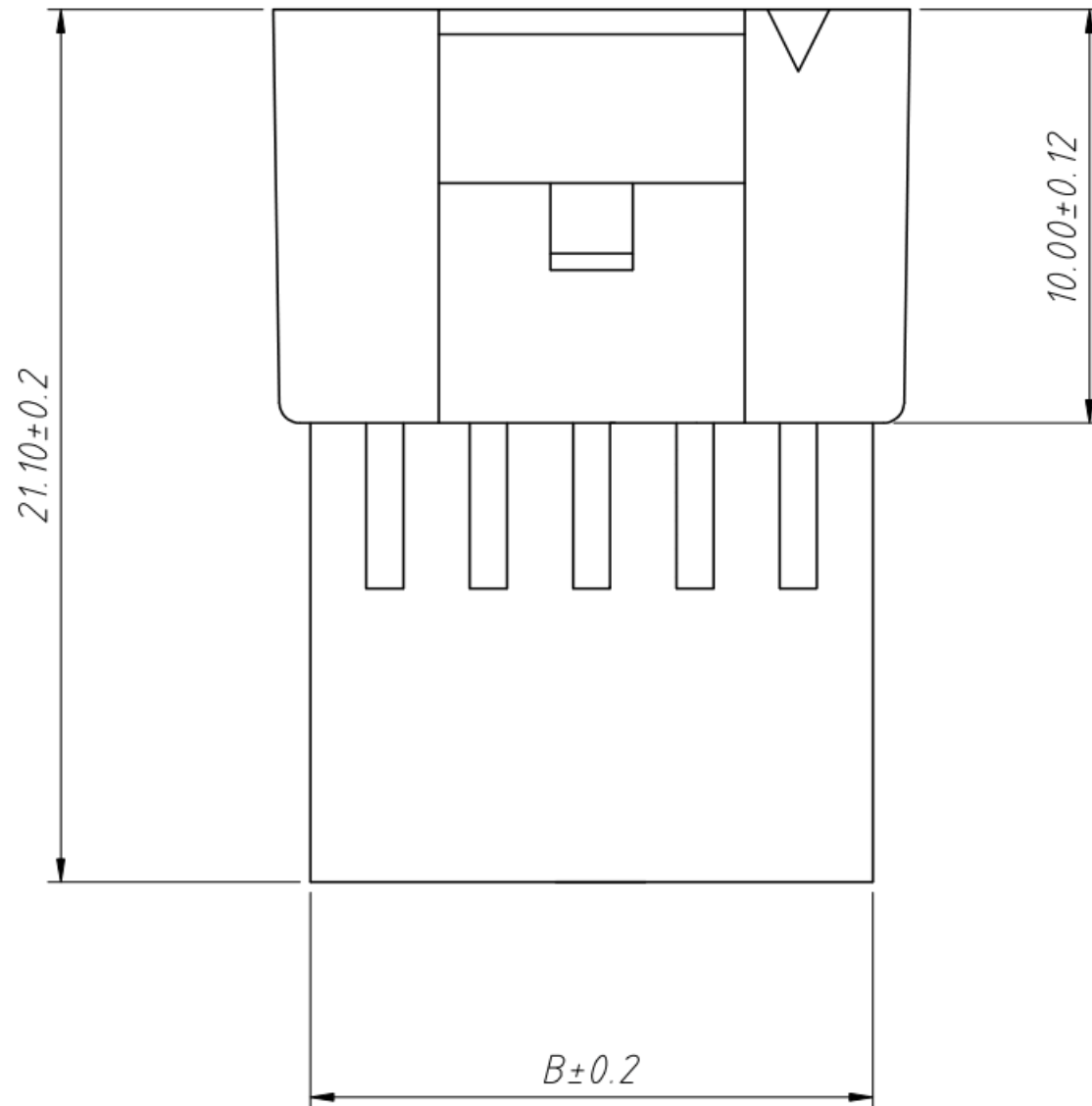
Housing

Number of contact : 2 to 15 pin


Material:
Housing: PA66, UL 94V-2

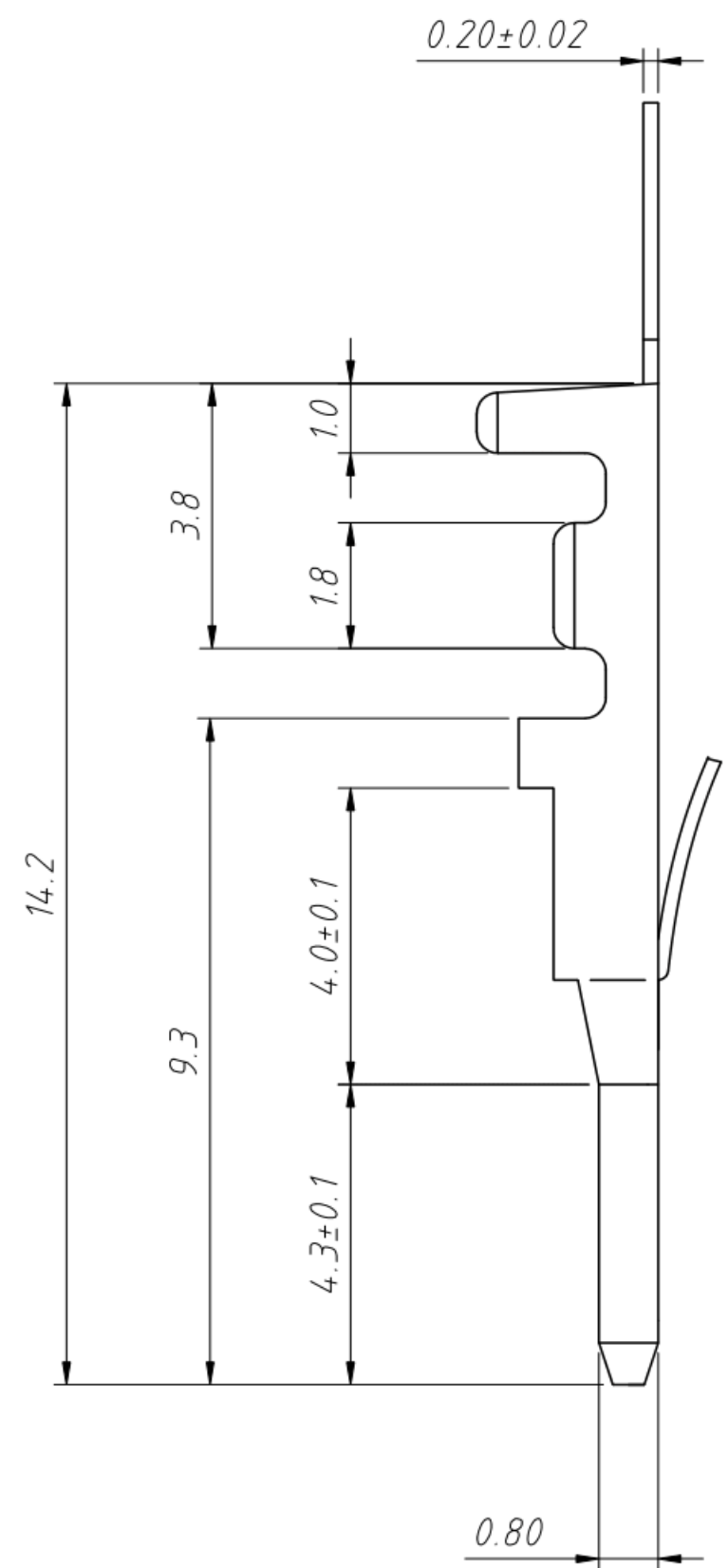
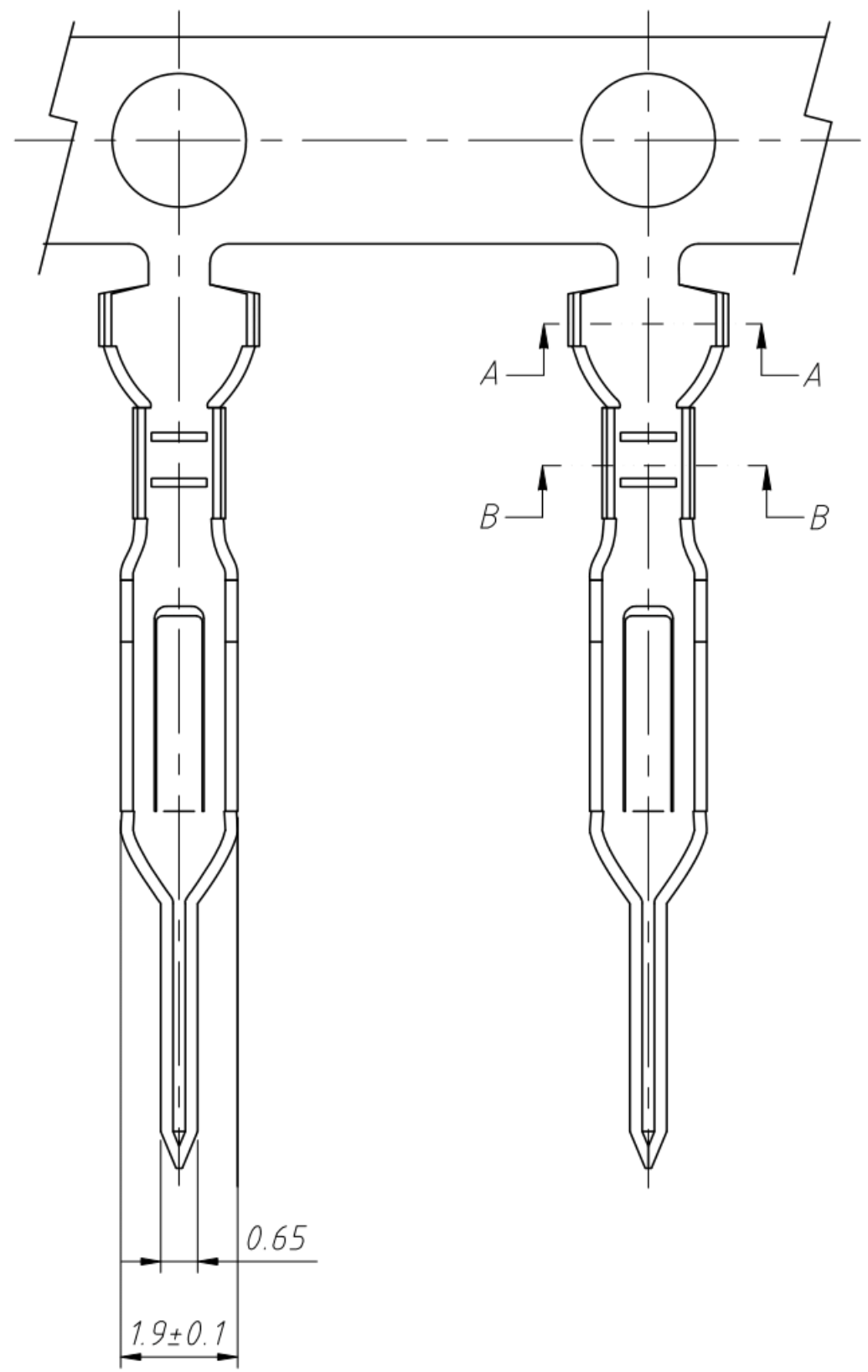
Electrical Characteristics:
Rated Current: 3.0AMP
Voltage rating: 250V AC, DC
Temperature range: -25°C ~ + 85°C
Insulator Resistance: 1000MΩ Min
Withstanding Voltage: 1000V AC/minute
Contact Resistance: 30mΩ Max

**TTAF
APPROVAL**



Pin	Dimensions(mm)		
	A	B	C
02	2.50	6.10	7.90
03	5.00	8.60	10.40
04	7.50	11.10	12.90
05	10.00	13.60	15.40
06	12.50	16.10	17.90
07	15.00	18.60	20.40
08	17.50	21.10	22.90
09	20.00	23.60	25.40
10	22.50	26.10	27.90
11	25.00	28.60	30.40
12	27.50	31.10	32.90
13	30.00	33.60	35.40
14	32.50	36.10	37.90
15	35.00	38.60	40.40

Date	-	Rev.	Revision Detail	Rev.Dt.	Rev.by	Part No		
Designed by	Rabia MUZAÇ	-				2317-XXH-ML		
Checked by	Ersin YÜKSEL							
								
						Drawing Nr.	Scale	Sheet No
						-	NONE	1/1

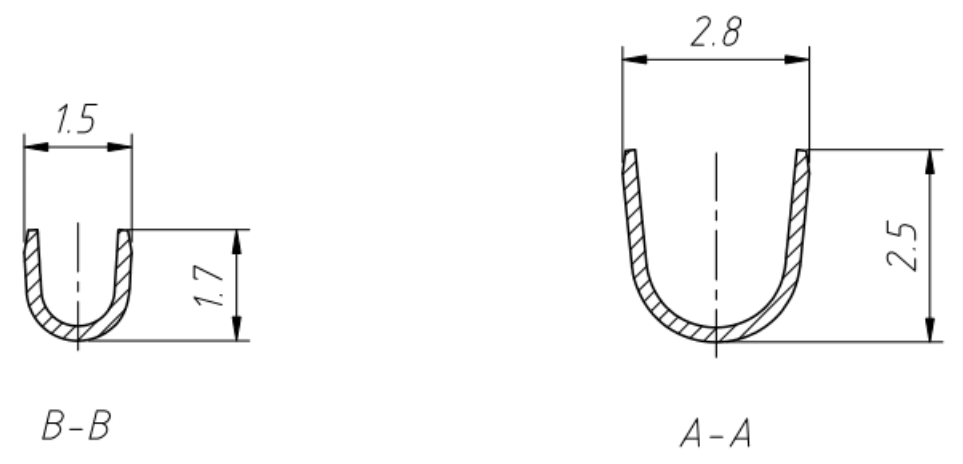



▲ Order Code : 2317-TM-L

**TTAF
APPROVAL**

Material:
 Terminal: Phosphor Bronze
 Plating: Tin plated
 Applicable wires: AWG #22 ~ # 28
 Insulation O.D: 1.6mm

Electrical Characteristics:
 Rated Current: 3.0AMP
 Voltage rating: 250V AC,DC
 Temperature range: -25°C ~ + 85°C
 Insulator Resistance: 1000MΩ Min
 Withstanding Voltage: 1000V AC/minute
 Contact Resistance: 30mΩ Max



Date	-	Rev.	Revision Detail	Rev.Dt.	Rev.by	Part No		
Designed by	Rabia MUZAÇ	-				2317-TM-L		
Checked by	Ersin YÜKSEL							
								
						Drawing Nr.	Scale	Sheet No
						-	NONE	1/1