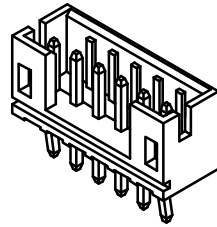


VIEW	TOLERANCE	
	0-10	±1
	11-250	±5
	251-500	±10
	501-1000	±20
	1001-3000	±50
UNIT: mm	3001-5000	±100
	5001- >	±150



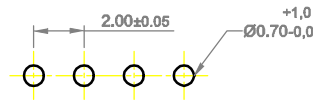
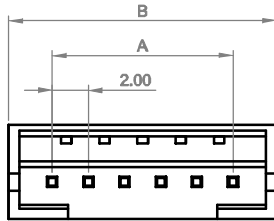
Δ Order Code : 200G1-XX-S

Straight Angle 180°
Number of contact : 2 to 16 pin

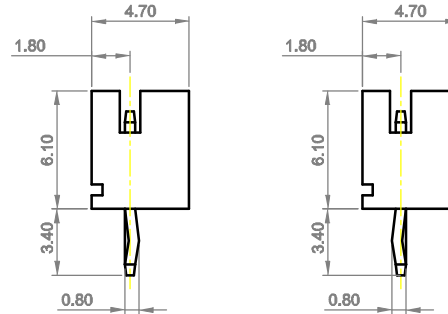
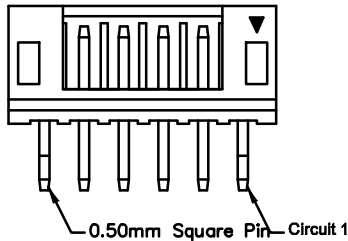
**TTAF
APPROVAL**

Δ Material : Nylon 66, UL94V-0
Pin: Brass/Tin-plated

Voltage Rating : 100V AC,DC
Current Rating : 2A.
Withstanding Voltage : 800V AC/minute
Insulation Resistance : 1.000M Ω Min.
Temperature Range : -25 °C ~ + 85 °C
Contact Resistance : 20m Ω Max.



P.C.B. LAYOUT



Contact No.	Dimensions (mm)	
	A	B
2	2.00	6.00
3	4.00	8.00
4	6.00	10.00
5	8.00	12.00
6	10.00	14.00
7	12.00	16.00
8	14.00	18.00
9	16.00	20.00
10	18.00	22.00
11	20.00	24.00
12	22.00	26.00
13	24.00	28.00
14	26.00	30.00
15	28.00	32.00
16	30.00	34.00

Date	-	Rev.	Revision Detail	Rev.Dt.	Rev.by	Part No		
Designed by	Yeşim AKSOY	-				200G1-XX-S		
Checked by	Fatih BOLACA							
						Drawing Nr.	Scale	Sheet No
							NONE	1/1