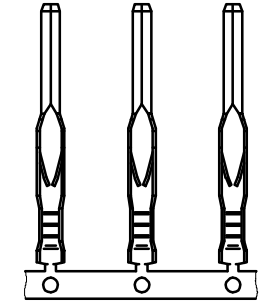
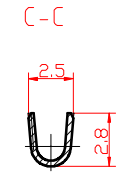
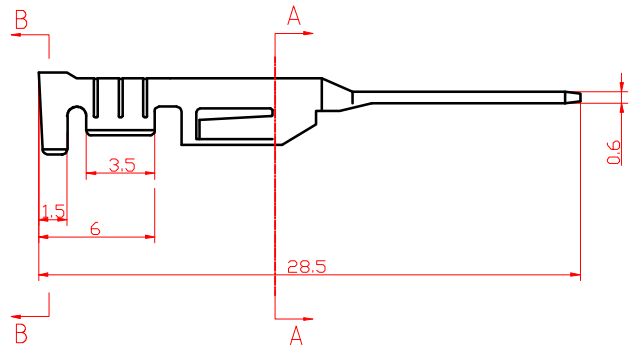
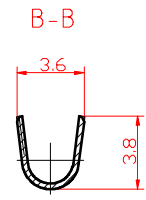
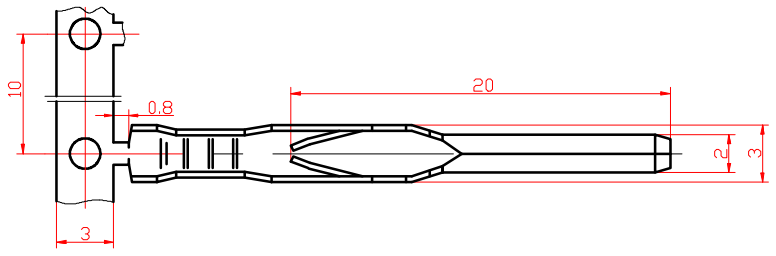


Order Code : 200074-TM

**TTAF
APPROVAL**



VIEW	TOLERANCE	
	0-10	±1
	11-250	±5
	251-500	±10
	501-1000	±20
	1001-3000	±50
UNIT: mm	3001-5000	±100
	5001- >	±150

Date	04.01.2016	Rev.	-	Revision Detail		Rev.Dt.		Rev.by		Part No	200074-TM
Designed by	Yeşim AKSOY									200074-TM	
Checked by	Fatih BOLACA										
										Drawing Nr.	-
										Scale	NONE
										Sheet No	1/1