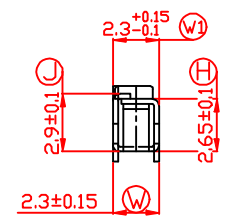
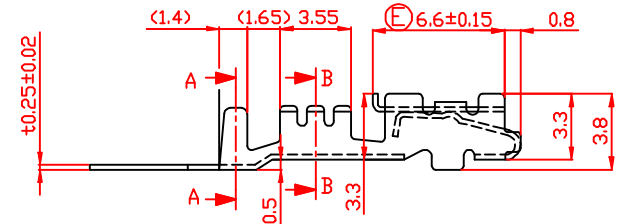
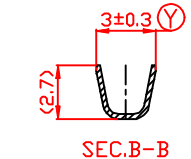
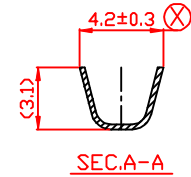
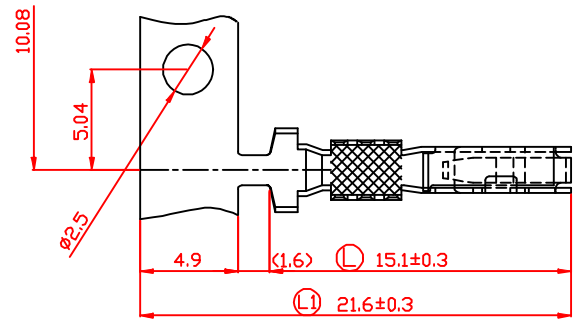


▲ Order Code : 200035-FT

**TTAF
APPROVAL**

NONE:
 1.Pre-Matt Tin Plated Thickness More Than 40u"
 2.Mating Part:TAB=0.8
 Inserted Force : 0.2-1.0 KG
 Tensile Force : 0.2-0.8 KG

VIEW	TOLERANCE	
	0-10	±1
	11-250	±5
UNIT: mm	251-500	±10
	501-1000	±20
	1001-3000	±50
	3001-5000	±100
	5001->	±150



Date	04.01.2016	Rev.	Revision Detail	Rev.Dt.	Rev.by	Part No		
Designed by	Yeşim AKSOY	-				200035-TF		
Checked by	Fatih BOLACA							
						Drawing Nr.	Scale	Sheet No
						-	NONE	1/1