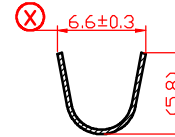
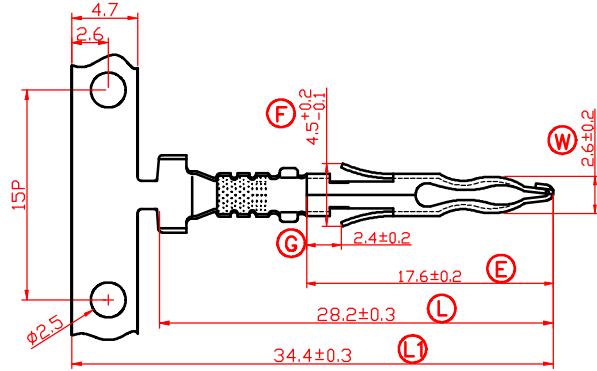


VIEW	TOLERANCE	
	0-10	±1
	11-250	±5
	251-500	±10
	501-1000	±20
	1001-3000	±50
UNIT: mm	3001-5000	±100
	5001- >	±150

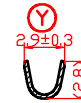
▲ Order Code : 200021-TM

**TTAF
APPROVAL**

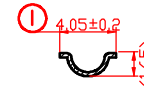
NOTE:
1. NONE: PER-TUNGSTEN
TIN PLATING THICKNESS
MORE THAN 40µ"



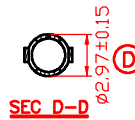
SEC A-A



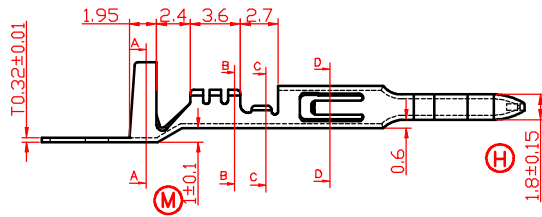
SEC B-B



SEC C-C



SEC D-D



Date	04.01.2016	Rev.	-	Revision Detail		Rev.Dt.		Rev.by		Part No	200021-TM	
Designed by	Yeşim AKSOY									Drawing Nr.	Scale	Sheet No
Checked by	Fatih BOLACA											



1

2

3

4

5

6

A4