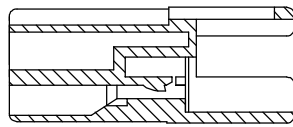
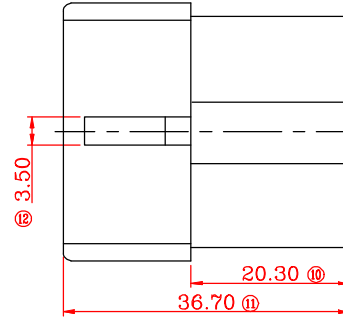


VIEW	TOLERANCE	
	0-10	±1
	11-250	±5
UNIT: mm	251-500	±10
	501-1000	±20
	1001-3000	±50
	3001-5000	±100
	5001- >	±150

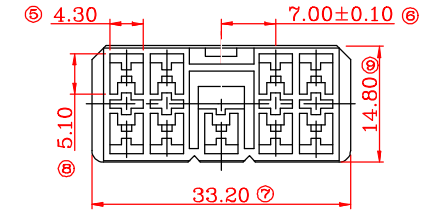
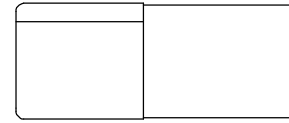
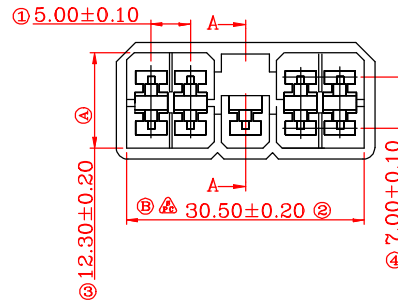
Δ Order Code : 200011-09M

**TTAF  
APPROVAL**

NOTE.G  
1.ALL THE DIMENSIONS ARE MEASURED UNDER  
GRADE "B" UNLESS OTHERWISE SPECIFIED.



SEC A-A



Date	04.01.2016	Rev.	-	Revision Detail		Rev.Dt.		Rev.by		Part No	200011-09M
Designed by	Yeşim AKSOY	Checked by	Fatih BOLACA								
										Drawing Nr.	-
										Scale	NONE
										Sheet No	1/1