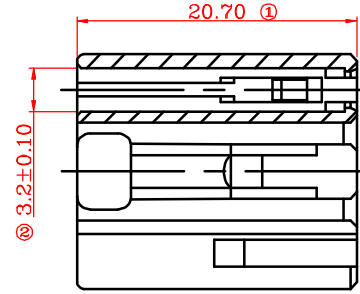


Order Code : 200010-06F

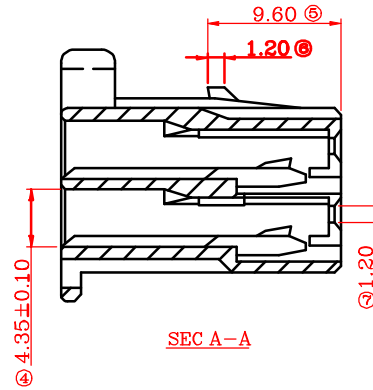
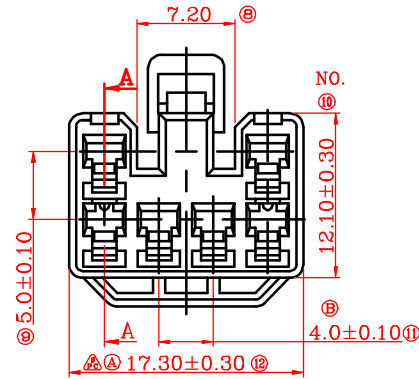
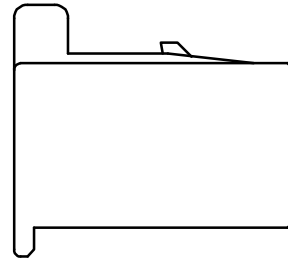
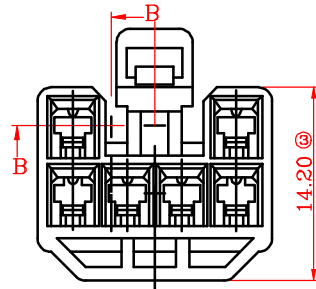
**TTAF
APPROVAL**

NOTE:
1.ALL THE DIMENSIONS ARE MEASURED UNDER
GRADE "B" UNLESS OTHERWISE SPECIFIED.

VIEW	TOLERANCE	
	0-10	±1
	11-250	±5
	251-500	±10
	501-1000	±20
	1001-3000	±50
UNIT: mm	3001-5000	±100
	5001- >	±150



SEC B-B



SEC A-A

Date	04.01.2016	Rev.	Revision Detail	Rev.Dt.	Rev.by	Part No		
Designed by	Yeşim AKSOY	-				200010-06F		
Checked by	Fatih BOLACA					Drawing Nr.	Scale	Sheet No
						-	NONE	1/1



Grid coordinates: 1, 2, 3, 4, 5, 6 (horizontal); A, B, C, D (vertical)