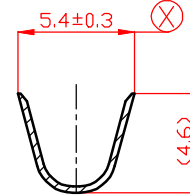
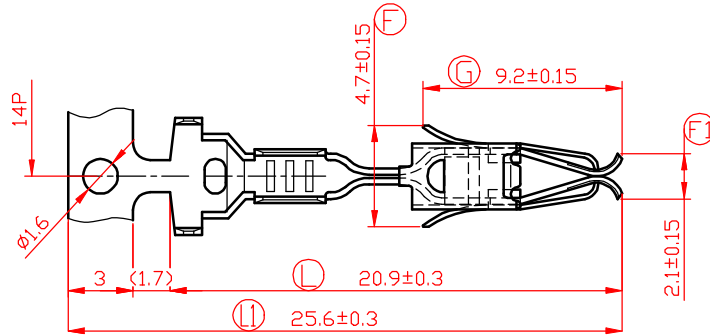


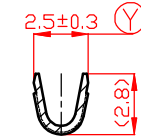
VIEW	TOLERANCE	
	0-10	±1
	11-250	±5
UNIT: mm	251-500	±10
	501-1000	±20
	1001-3000	±50
	3001-5000	±100
	5001- >	±150

▲ Order Code : 200003-FT

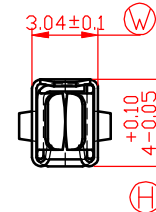
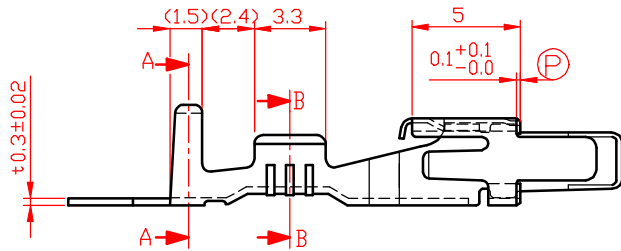
**TTAF  
APPROVAL**



SEC.A-A



SEC.B-B



NOTE:  
 1.Pre-Tin Plated Thickness More Than 40u"  
 2.Mating Part:TAB=0.8  
 Inserted Force: Less Than 1.3KG  
 Tensile Force: More Than 0.4KG  
 The Sixth Time : More Than 0.2KG

Date	04.01.2016	Rev.	-	Revision Detail		Rev.Dt.		Rev.by		Part No	200003-TF
Designed by	Yeşim AKSOY										
Checked by	Fatih BOLACA										
										Drawing Nr.	-
										Scale	NONE
										Sheet No	1/1