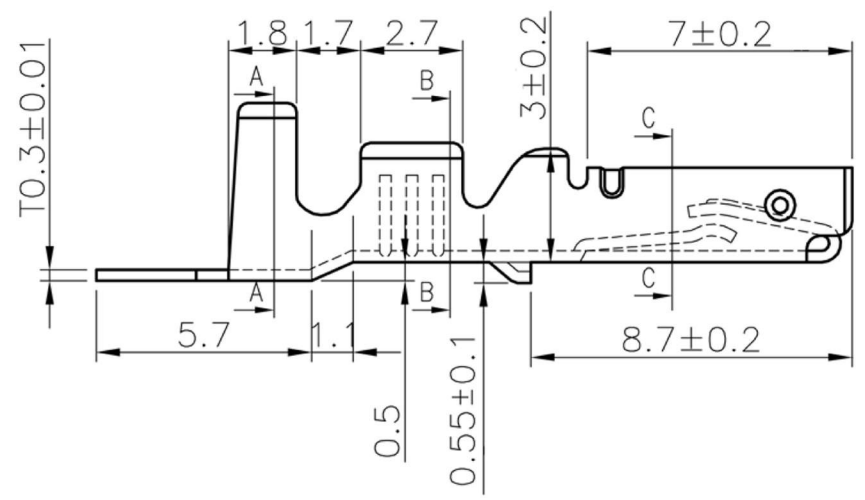
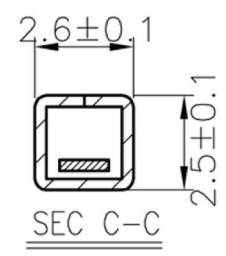
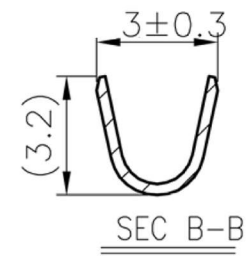
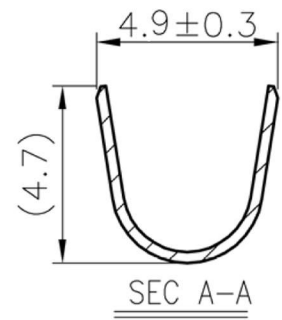
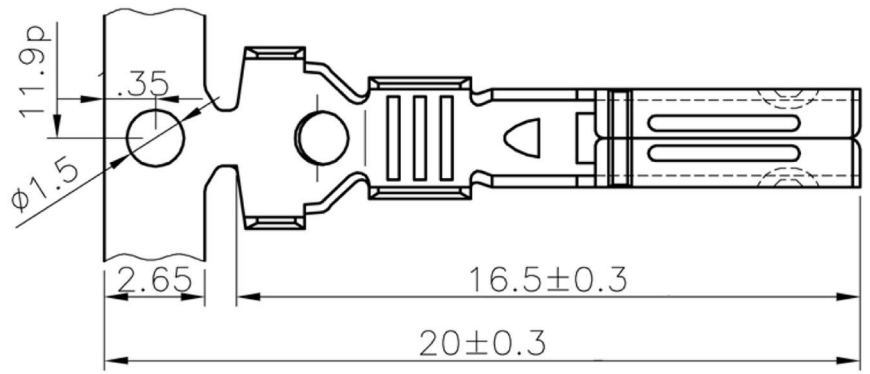


VIEW	TOLERANCE	
	0-10	±1
	11-250	±5
	251-500	±10
	501-1000	±20
	1001-3000	±50
UNIT: mm	3001-5000	±100
	5001- >	±150

▲ Order Code : 200001-TF-C

**TTAF
APPROVAL**



Date	22.10.2008	Rev.		Revision Detail		Rev.Dt.		Rev.by		Part No	
Designed by	Yeşim AKSOY		-							200001-TF-C	
Checked by	Fatih BOLACA										Drawing Nr.
										Scale	NONE
										Sheet No	1/1