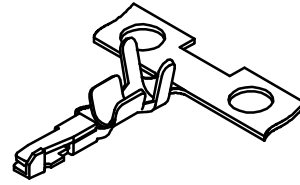
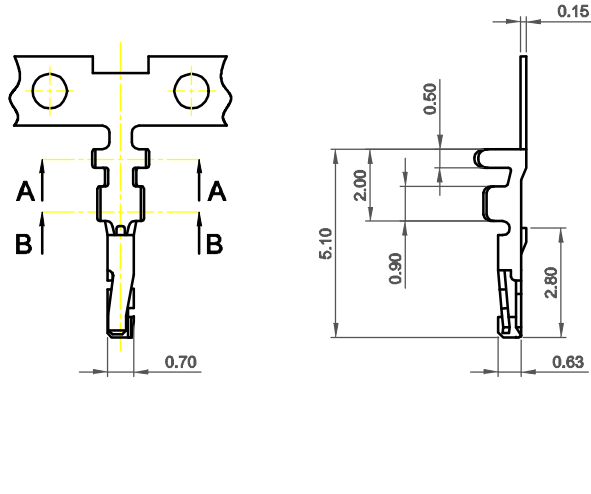


VIEW	TOLERANCE	
	0-10	±1
	11-250	±5
	251-500	±10
	501-1000	±20
UNIT: mm	1001-3000	±50
	3001-5000	±100
	5001- >	±150



△ Order Code : 1750-TP

**TTAF  
APPROVAL**



Wire Range	Insulation O.D.	Material	Finish	Qty/reel
AWG#28..#32	0.60 mm (max)	Phosphor Bronze	Gold-Plated	15.000 pcs

Date	03.11.2014	Rev.	Revision Detail	Rev.Dt.	Rev.by	Part No		
Designed by	Yeşim AKSOY	-				<b>1750-TP</b>		
Checked by	Fatih BOLACA							
						Drawing Nr.	Scale	Sheet No
						-	NONE	1/1