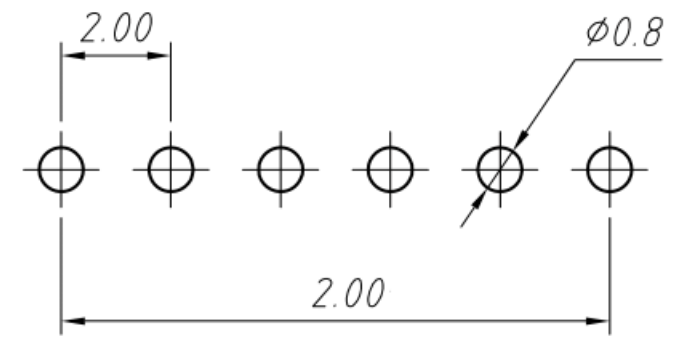
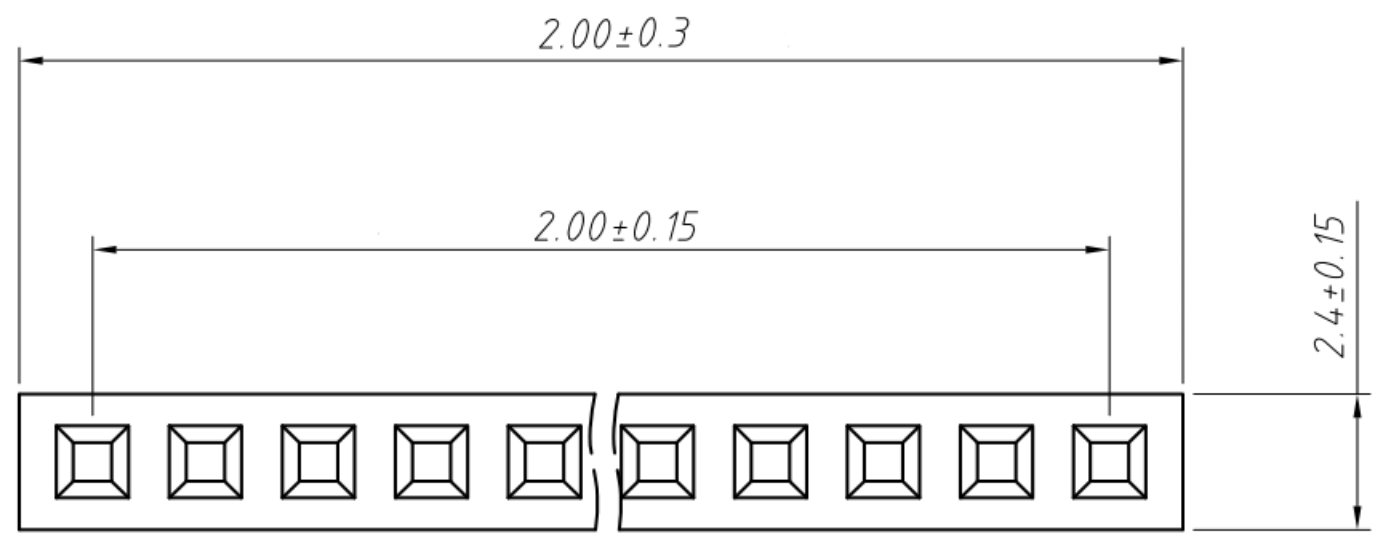


1 2 3 4 5 6

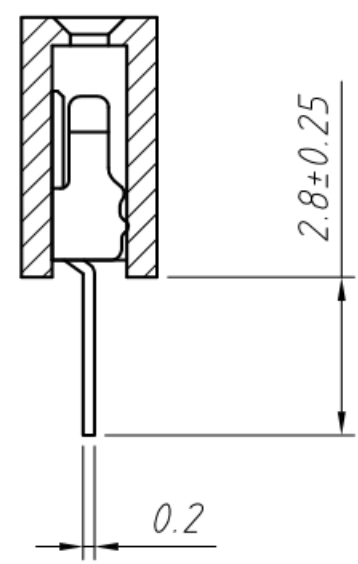
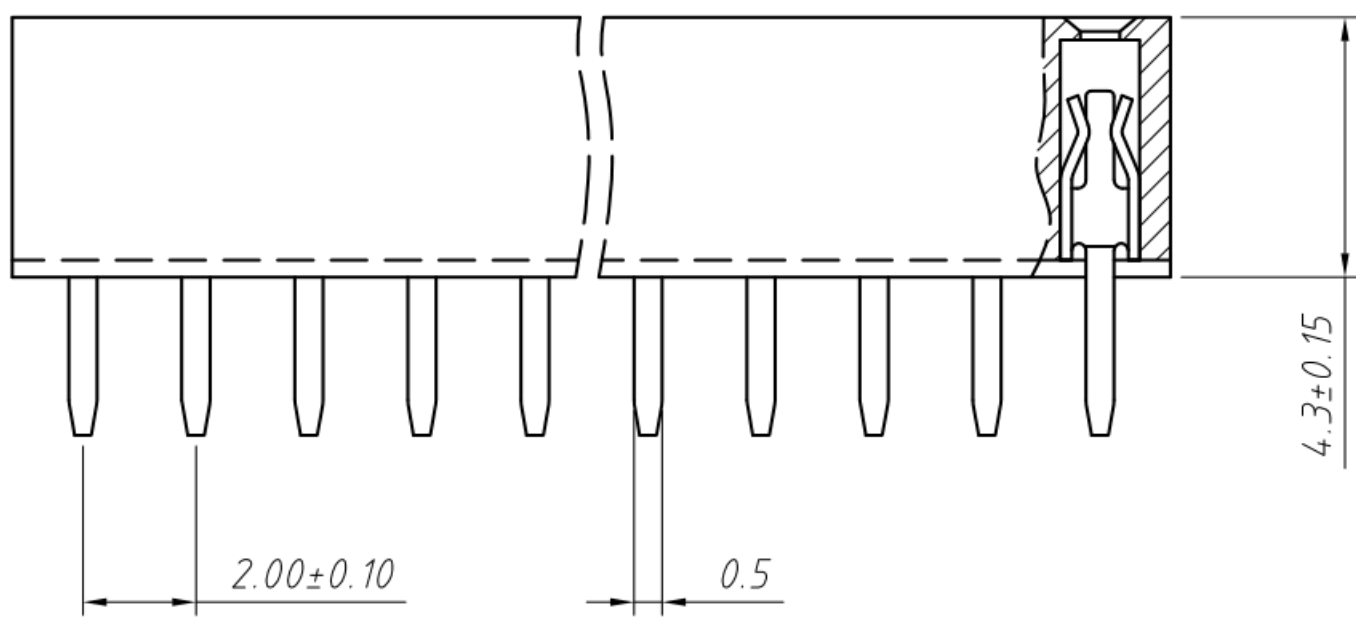
A

A



B

B




C

C

D

D

Date	-	Rev.	Revision Detail	Rev.Dt.	Rev.by	Part No
Designed by	Rabia MUZAÇ	-				1309-1X40STB
Checked by	Ersin YÜKSEL					
						Drawing Nr.
						-
						Scale
						NONE
						Sheet No
						1/1

1 2 3 4 5 6

A4