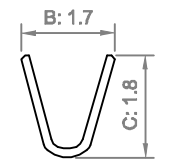
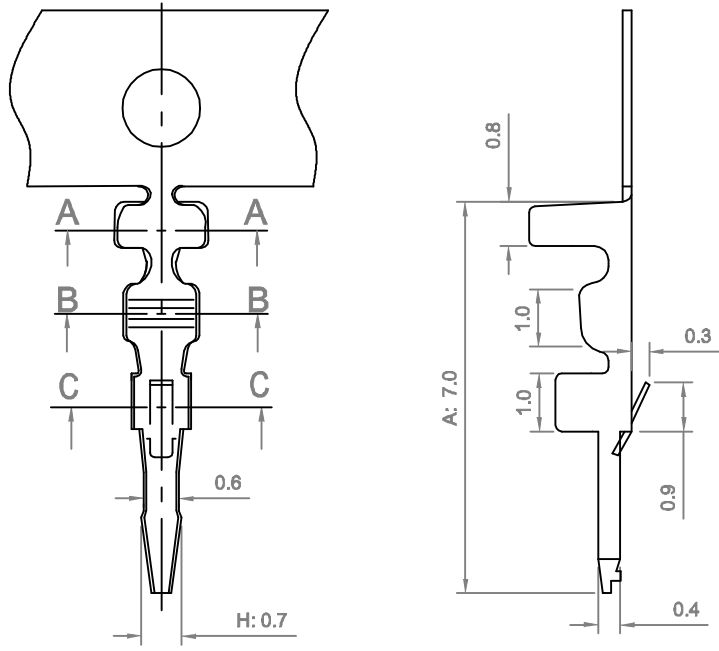


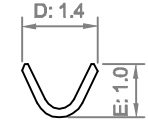
VIEW	TOLERANCE	
	0-10	±1
	11-250	±5
	251-500	±10
UNIT: mm	501-1000	±20
	1001-3000	±50
	3001-5000	±100
	5001- >	±150

▲ Order Code : 1211-T

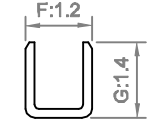
**TTAF
APPROVAL**



Sec:A-A



Sec:B-B



Sec:C-C

Wire Range	Insulation O.D.	Material	Finish	Qty/reel
AWG#24..#30	1.4 mm (max)	Phosphor Bronze	Tin-Plated	10.000 pcs

Date	03.11.2014	Rev.	-	Revision Detail		Rev.Dt.		Rev.by		Part No	1211-T				
Designed by	Yeşim AKSOY														
Checked by	Fatih BOLACA														
										Drawing Nr.	-	Scale	NONE	Sheet No	1/1